



# MERCURY DISPLACEMENT INDUSTRIES, INC.

Post Office Box 710 - U.S. 12 East - Edwardsburg, Michigan 49112-0710

Phone (269) 663-8574 - Fax (269) 663-2924

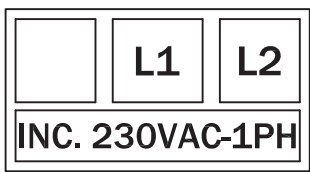
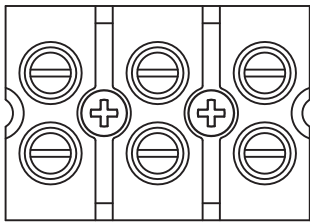
(800) 634-4077

## PANEL#: 50A750-C20

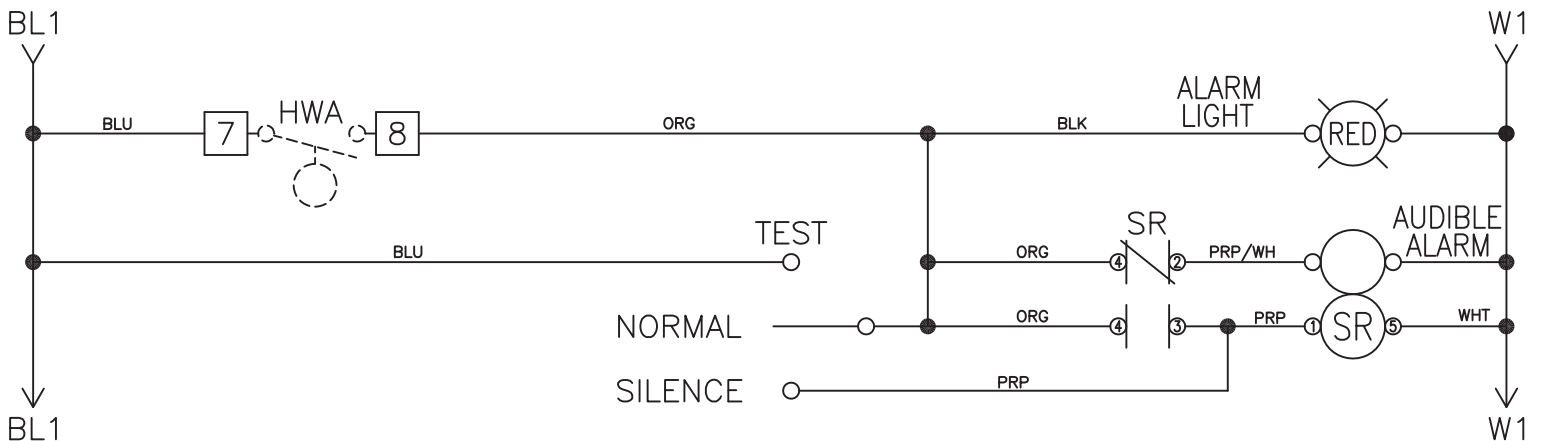
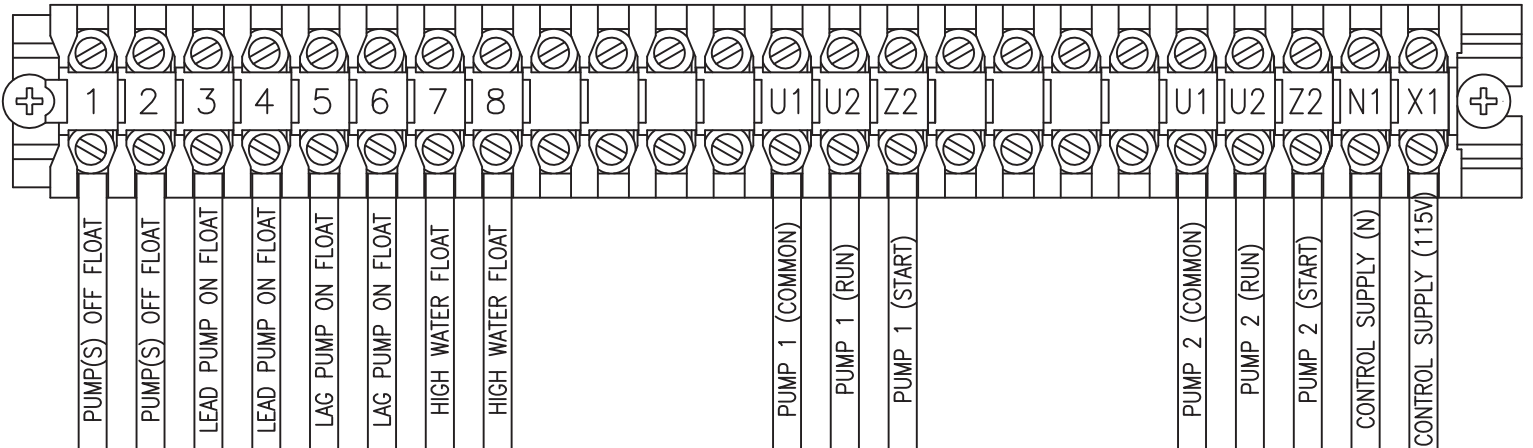
### CONNECTION DIAGRAM

REQUIRED TORQUE FOR TERMINAL BLOCK SCREWS IS 16 in-lbs.

#### INCOMING POWER CONNECTION



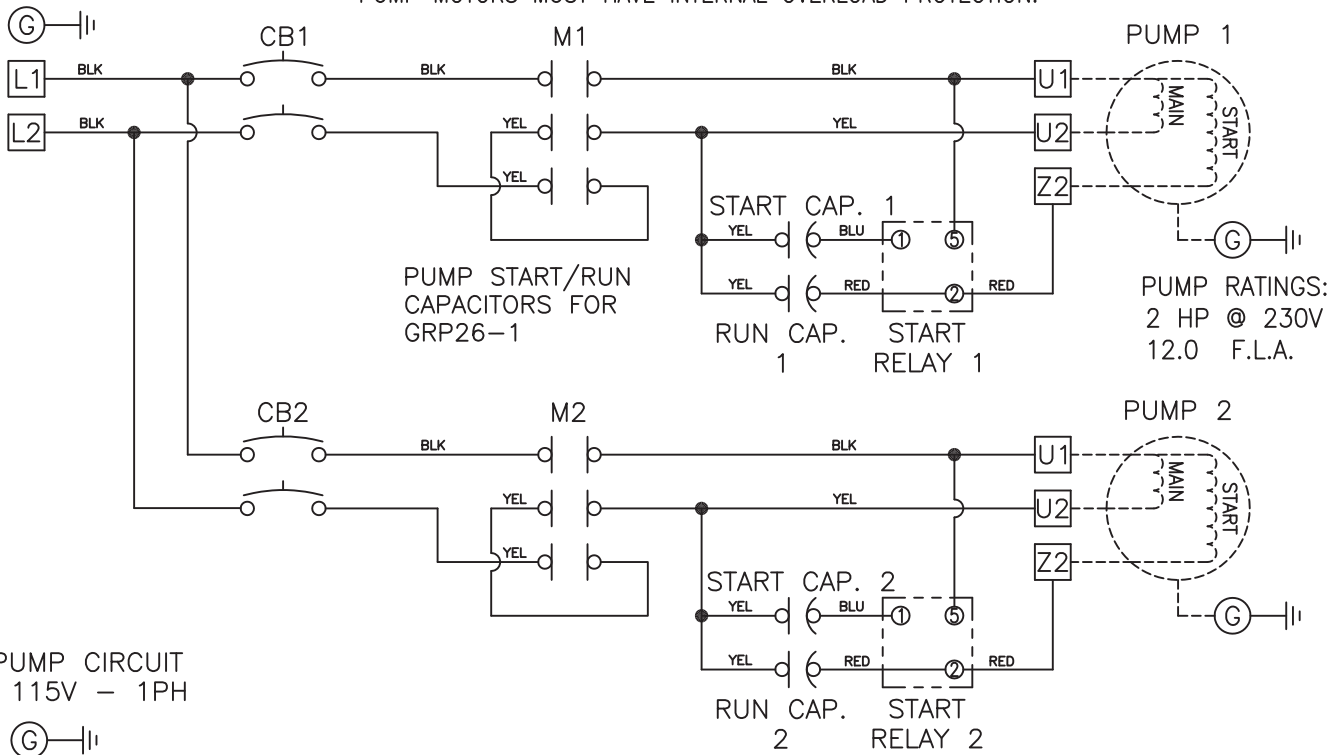
#### PUMP & FLOAT CONNECTIONS



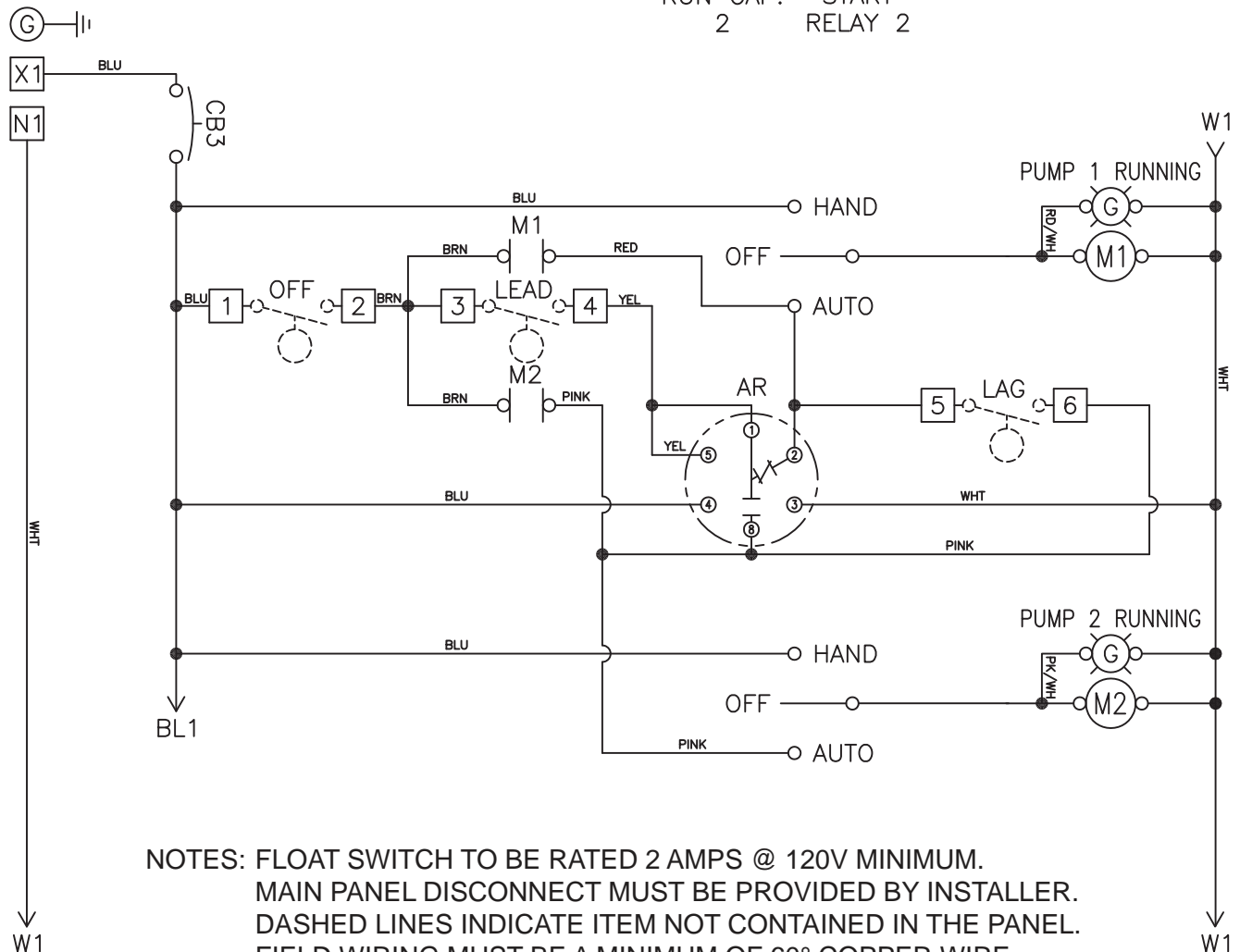
Contactors - Relays - Switches

PUMP CIRCUIT  
230V - 1PH

PUMP MOTORS MUST HAVE INTERNAL OVERLOAD PROTECTION.



PUMP CIRCUIT  
115V - 1PH



**IMPORTANT! - THIS PANEL CONTAINS CAPACITORS BE SURE TO DISCHARGE CAPACITORS, BEFORE SERVICING. FAILURE TO DO SO MAY RESULT IN DEATH OR SERIOUS INJURY.**