



MERCURY DISPLACEMENT INDUSTRIES, INC.

Post Office Box 710 - U.S. 12 East - Edwardsburg, Michigan 49112-0710

Phone (269) 663-8574 - Fax (269) 663-2924

(800) 634-4077

PANEL#: 50A509

CONNECTION DIAGRAM

230V 3-PH DUPLEX

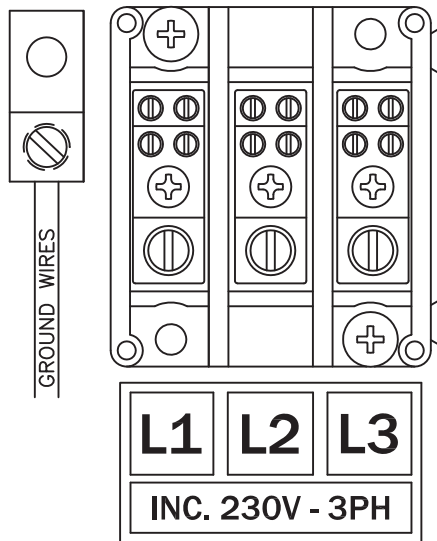
INCOMING POWER CONNECTION

REQUIRED TORQUE FOR TERMINAL BLOCK SCREWS IS

8 - 14 AWG = 35 in-lbs

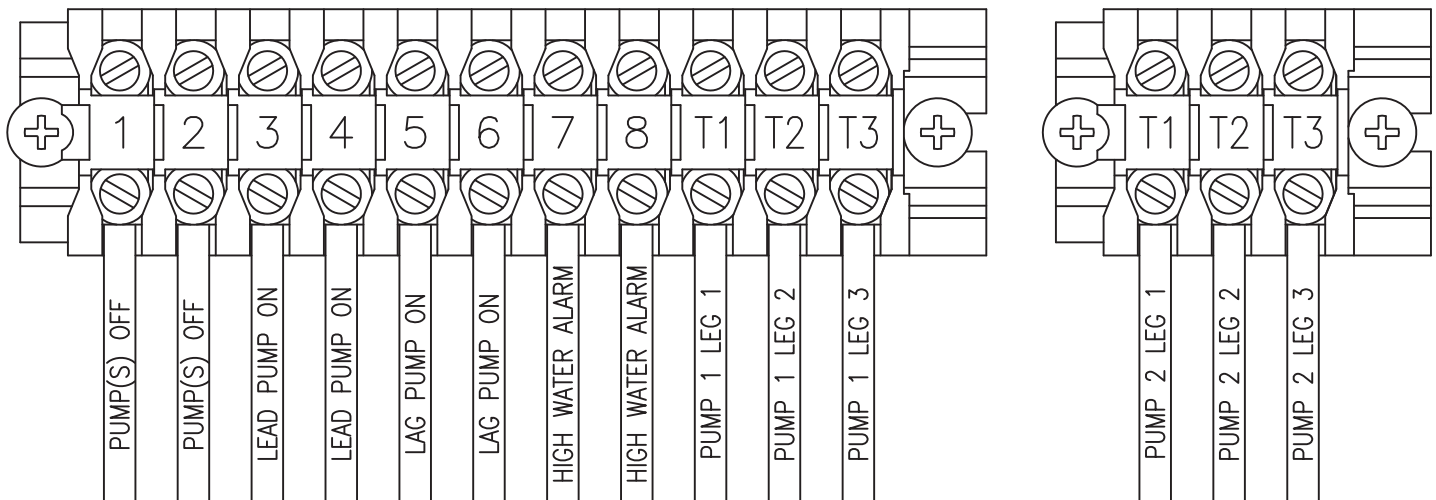
4 - 6 AWG = 45 in-lbs

2 - 3 AWG = 50 in-lbs



PUMP & FLOAT CONNECTIONS

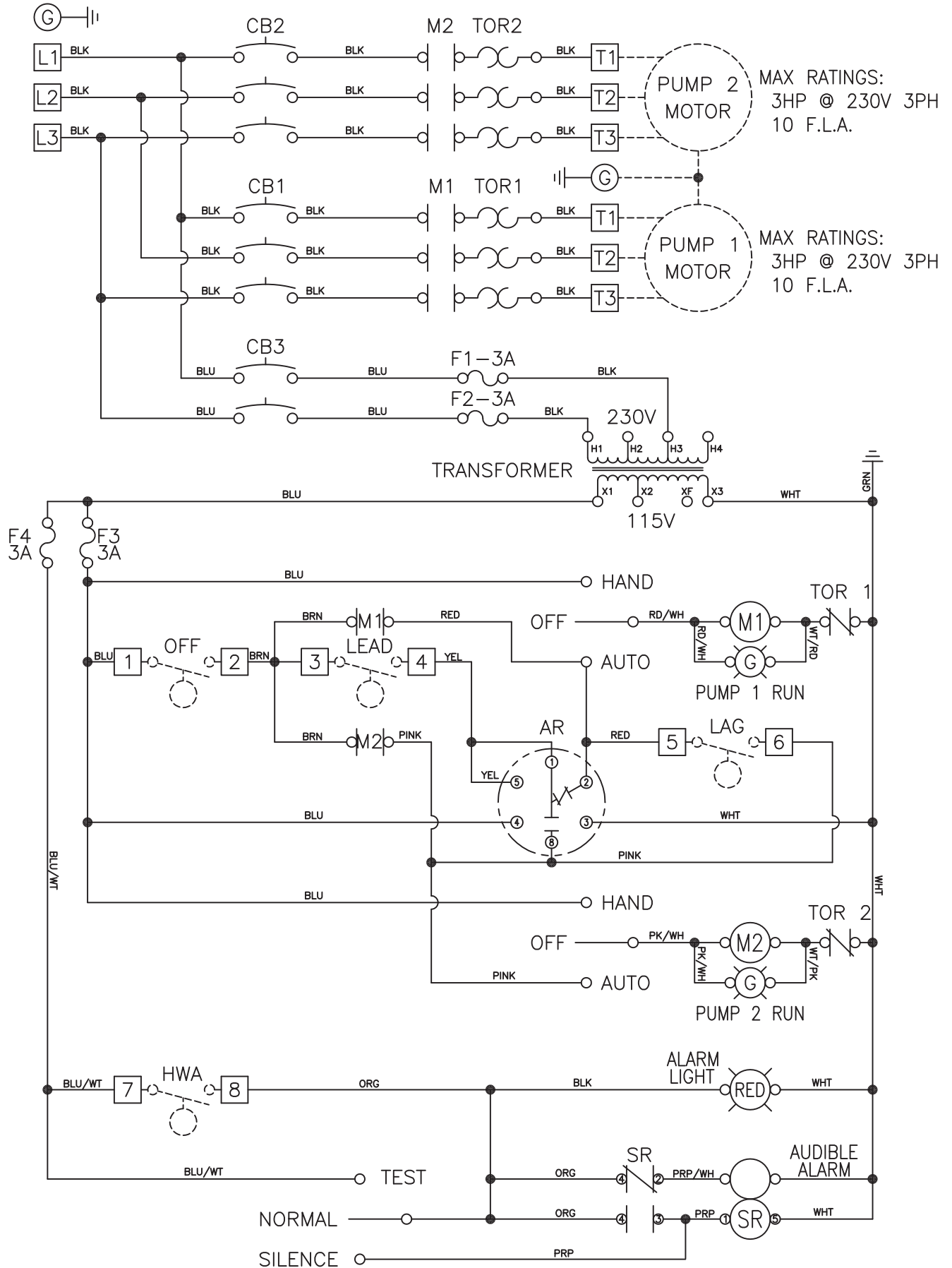
REQUIRED TORQUE FOR TERMINAL BLOCK SCREWS IS 16 in-lbs.



Contactors - Relays - Switches

<http://www.mdious.com>

POWER CIRCUIT (3 WIRE SERVICE)
230V - 3PH - 60Hz



NOTES: FLOAT SWITCH TO BE RATED 2 AMPS @ 120V MINIMUM.
 MAIN PANEL DISCONNECT MUST BE PROVIDED BY INSTALLER.
 DASHED LINES INDICATE ITEM NOT CONTAINED IN THE PANEL.
 FIELD WIRING MUST BE A MINIMUM OF 60° COPPER WIRE.