



MERCURY DISPLACEMENT INDUSTRIES, INC.

Post Office Box 710 - U.S. 12 East - Edwardsburg, Michigan 49112-0710

Phone (269) 663-8574 - Fax (269) 663-2924

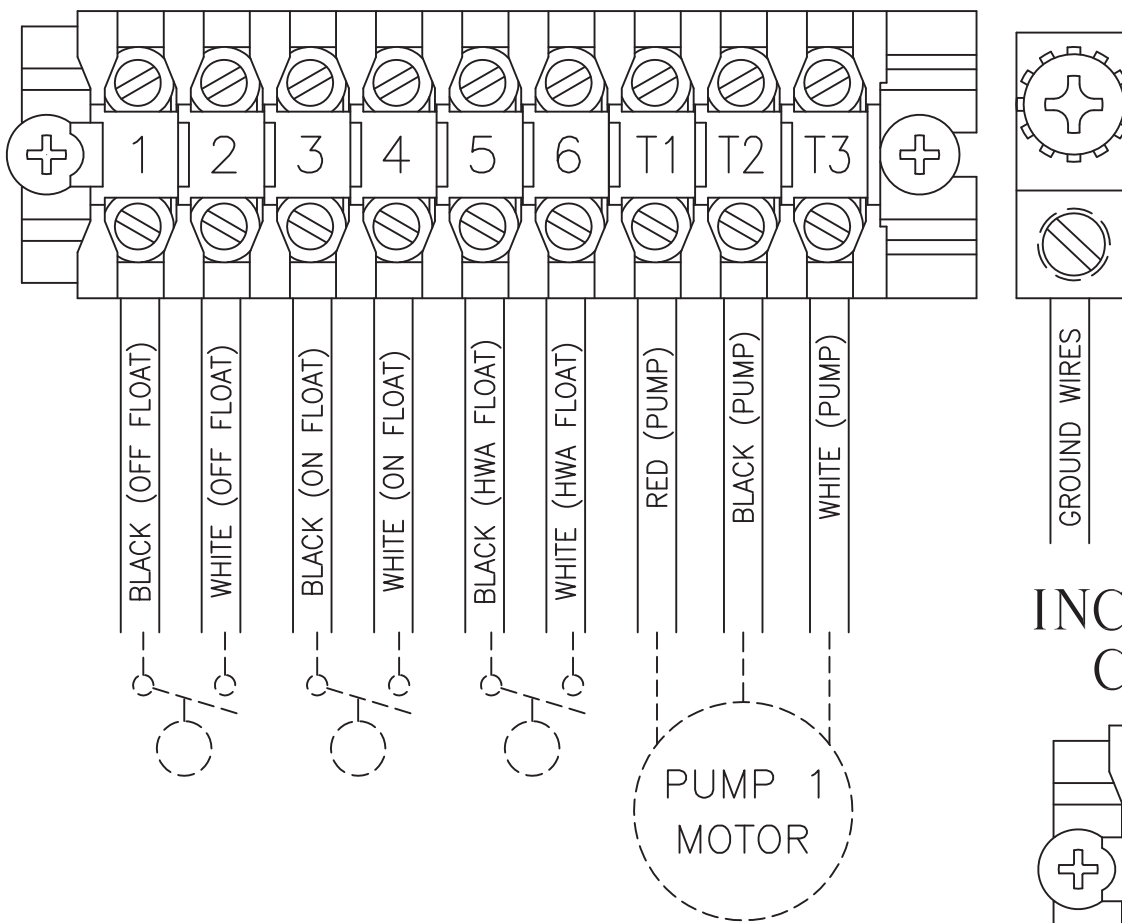
(800) 634-4077

PANEL #: 50A007

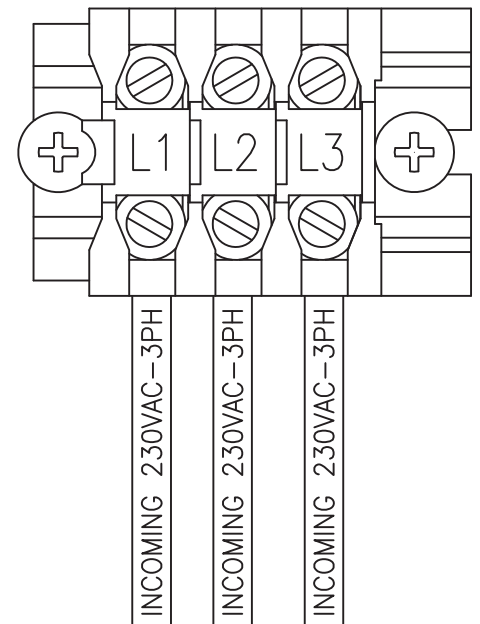
CONNECTION DIAGRAM

REQUIRED TORQUE FOR TERMINAL BLOCK SCREWS IS 16 in.-lbs.

PUMP & FLOAT CONNECTIONS



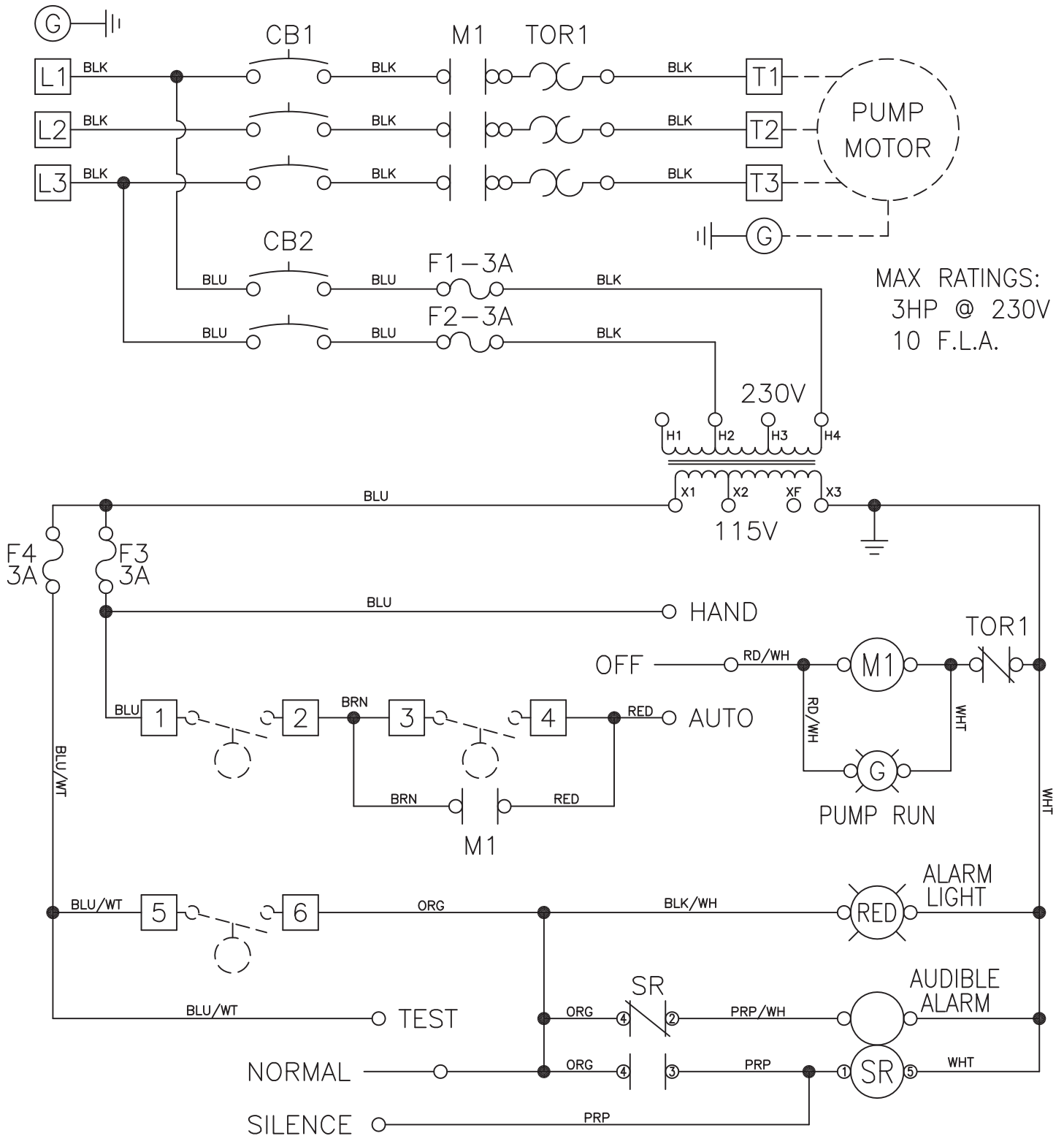
INCOMING POWER CONNECTIONS



Contactors - Relays - Switches

<http://www.mdious.com>

POWER CIRCUIT (3 WIRE SERVICE)
230V – 3PH – 60Hz



NOTES: FLOAT SWITCH TO BE RATED 2 AMP AT 120V MINIMUM.
MAIN PANEL DISCONNECT MUST BE PROVIDED BY INSTALLER.
DASHED LINES INDICATE ITEMS NOT CONTAIN IN THE PANEL.
REQUIRED TORQUE FOR TERMINAL BLOCK SCREWS IS 16 in-lbs.
FIELD WIRING MUST BE A MINIMUM OF 60°C COPPER WIRE.