



# MERCURY DISPLACEMENT INDUSTRIES, INC.

Post Office Box 710 - U.S. 12 East - Edwardsburg, Michigan 49112-0710

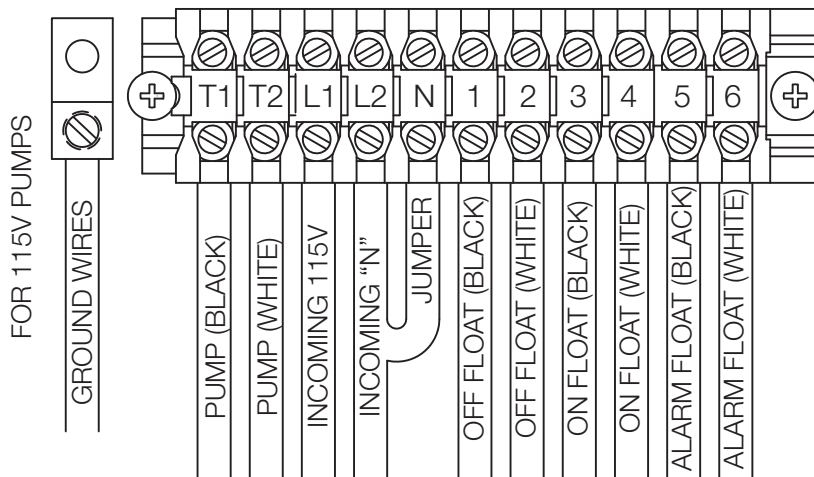
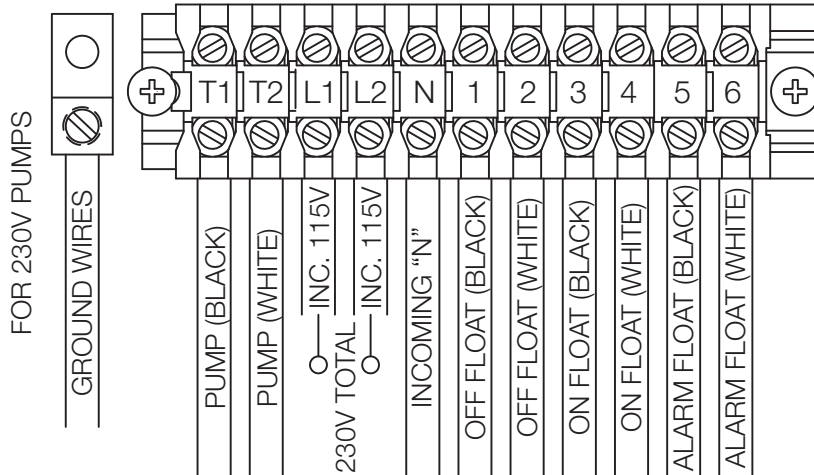
Phone (269) 663-8574 - Fax (269) 663-2924

(800) 634-4077

## PANEL #: 50A006-CBXST

### CONNECTION DIAGRAM

TORQUE FOR TERMINAL BLOCK SCREWS IS 16 in-lbs





# MERCURY DISPLACEMENT INDUSTRIES, INC.

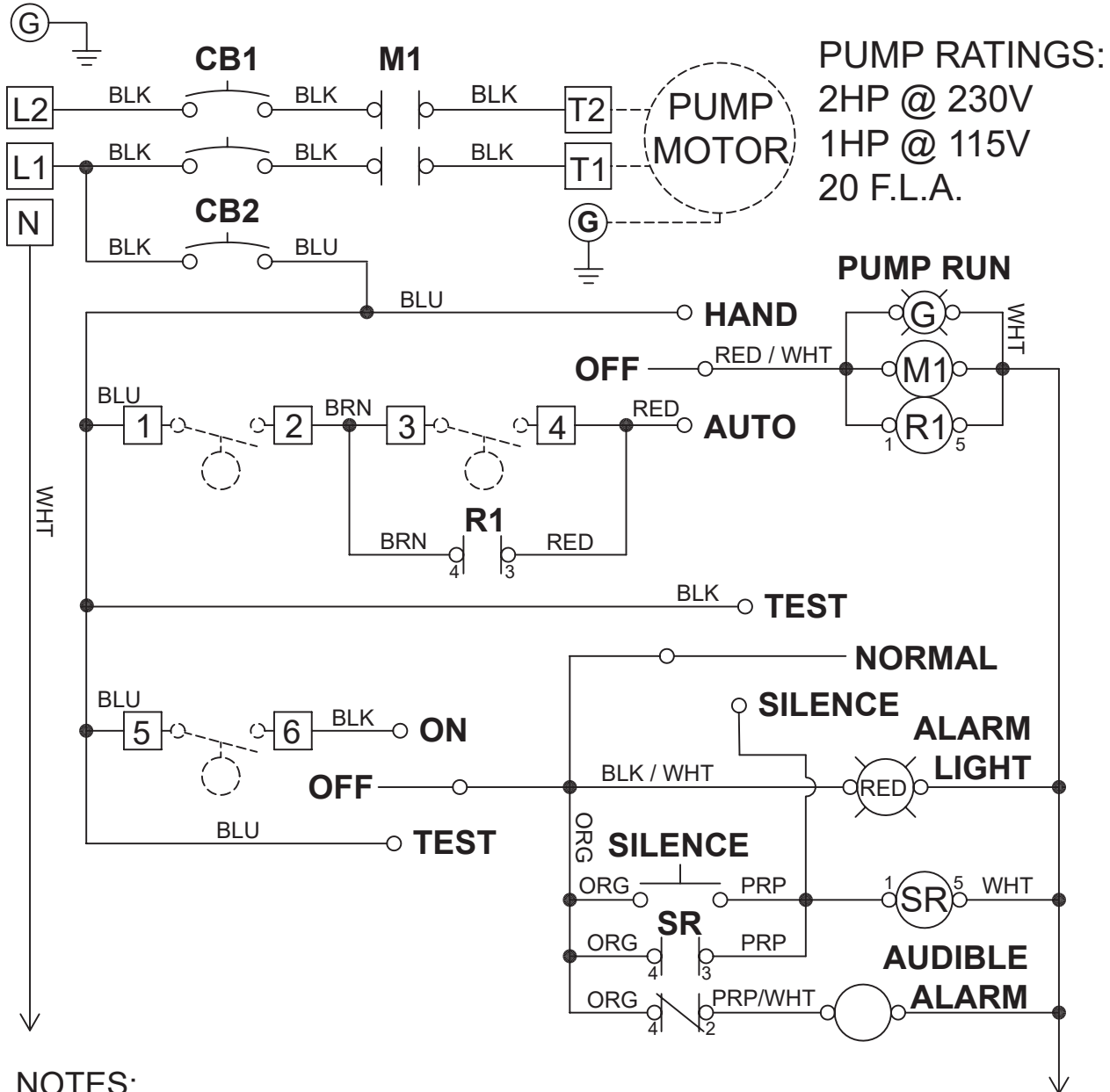
Post Office Box 710 - U.S. 12 East - Edwardsburg, Michigan 49112-0710

Phone (269) 663-8574 - Fax (269) 663-2924

(800) 634-4077

POWER CIRCUIT  
115/230V - 1PH

NOTE: PUMP MOTOR MUST HAVE  
INTERNAL OVERLOAD PROTECTION.



## NOTES:

FLOAT SWITCH TO BE RATED 2 AMP @ 120V MINIMUM.

MAIN PANEL DISCONNECT MUST BE PROVIDED BY INSTALLER.

DASHED LINES INDICATE ITEMS NOT CONTAIN IN THE PANEL.

REQUIRED TORQUE FOR TERMINAL BLOCK SCREWS IS 8 IN-LBS.

FIELD WIRING MUST BE A MINIMUM OF 60° COPPER WIRE.

Contactors - Relays - Switches

<http://www.mdius.com>