



MERCURY DISPLACEMENT INDUSTRIES, INC.

Post Office Box 710 - U.S. 12 East - Edwardsburg, Michigan 49112-0710

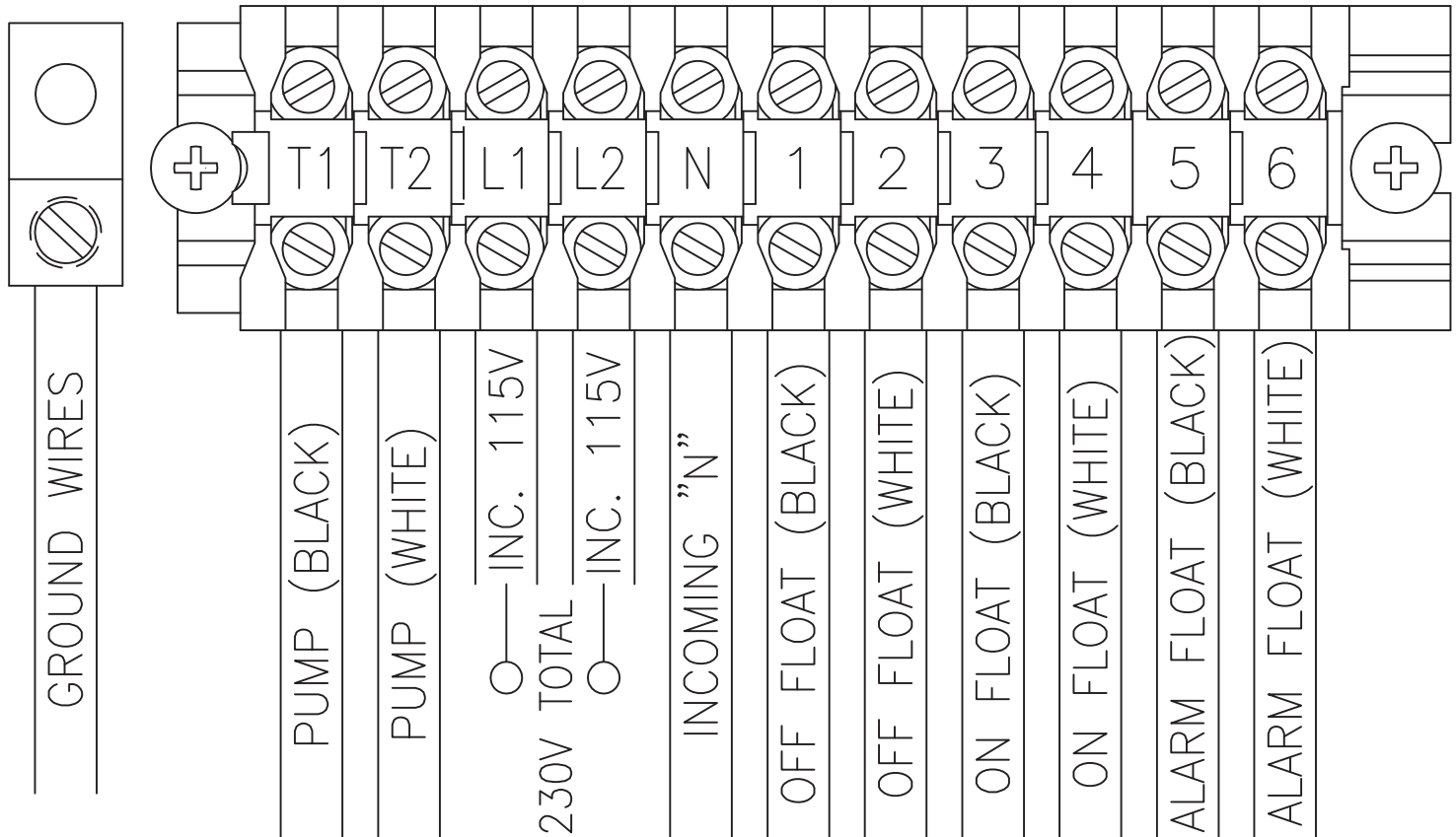
Phone (269) 663-8574 - Fax (269) 663-2924

(800) 634-4077

PANEL #: 50A002

CONNECTION DIAGRAM

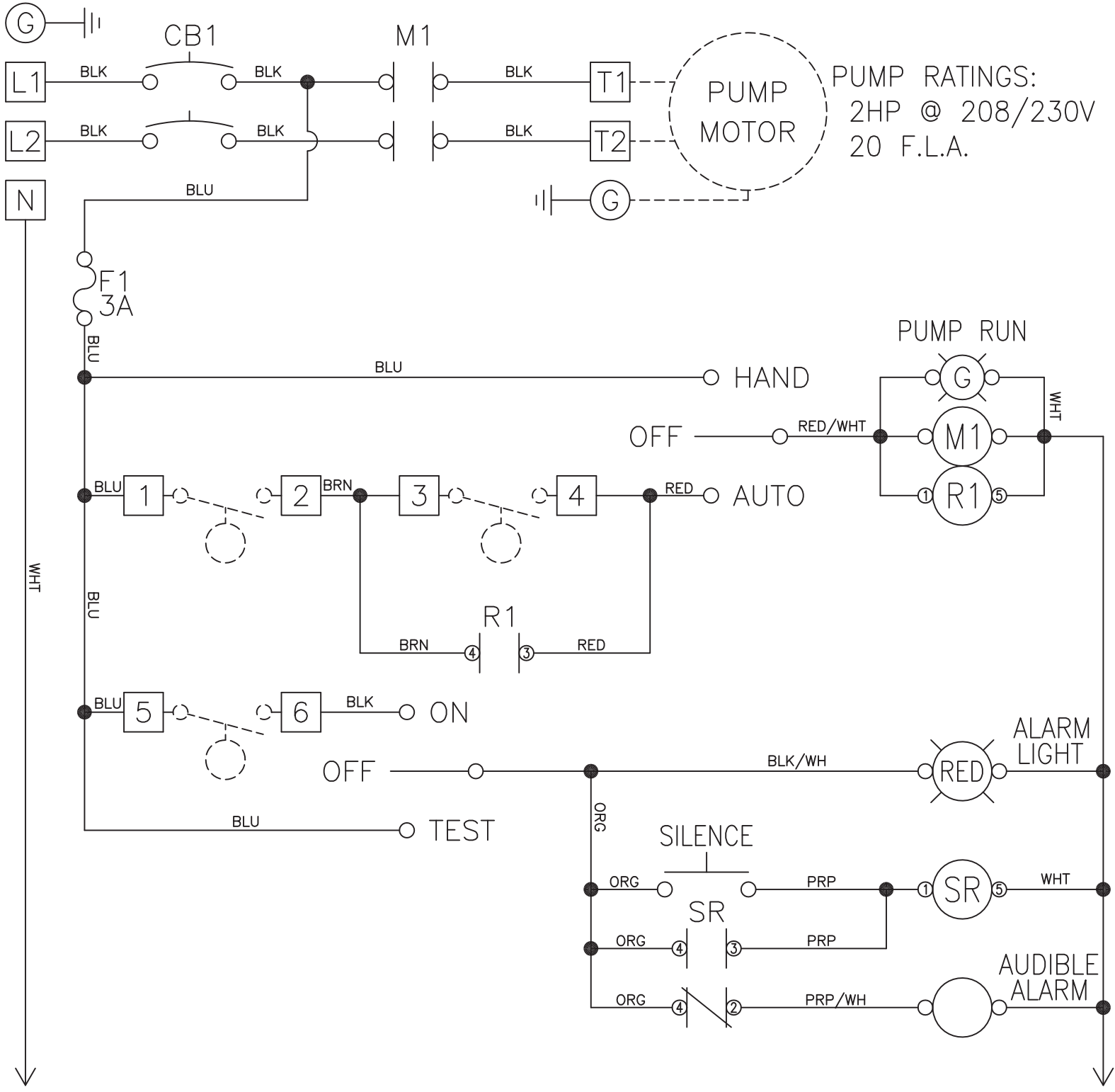
REQUIRED TORQUE FOR TERMINAL BLOCK SCREWS IS 16 in-lbs.



Contactors - Relays - Switches

<http://www.mdius.com>

POWER CIRCUIT NOTE :PUMP MOTOR MUST HAVE 208/230V – 1PH INTERNAL OVERLOAD PROTECTION.



NOTES: FLOAT SWITCH TO BE RATED 2 AMP AT 120V MINIMUM.
 MAIN PANEL DISCONNECT MUST BE PROVIDED BY INSTALLER.
 DASHED LINES INDICATE ITEMS NOT CONTAIN IN THE PANEL.
 REQUIRED TORQUE FOR TERMINAL BLOCK SCREWS IS 16 in-lbs.
 FIELD WIRING MUST BE A MINIMUM OF 60°C COPPER WIRE.