

FEATURES/BENEFITS

- High Efficient Motor With Upper & Lower Ball Bearings/ Runs Cooler & Last Longer
- Cast Iron Vortex Impeller/ Helps Prevent Clogging
- Inboard Seal-Rotating Components Of Seal Are In The Motor Housing, Lubricated By The Motor Oil/ Seal Will Last Longer If Pump Runs Dry, Hair And Debris Cannot Wrap Around Seal Components
- Secondary Exclusion Seal/ Keeps Debris From Entering Seal Cavity
- Sealed Entry-Replaceable Power Cord/Easy To Replace In The Field, Prevents Water From Entering The Motor Housing Through A Cut Power Cord (Up to 50' Available)
- Piggy-Back Switch Design/ Defective Switches Can Be Diagnosed By Phone; Pump Can Be Operated Manually by Overriding The Switch
- Every Pump Is Tested in Water/ Ensures That The Pump Meets Head & Flow Requirements

APPLICATIONS

- Basements; Dewatering, Septic Systems, Sewage Lift Stations/Add A Baths, Truck Docks



Add a V to the part number

Add a H to the part number

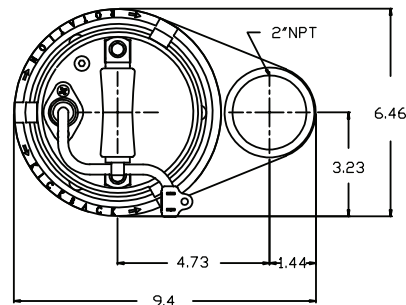
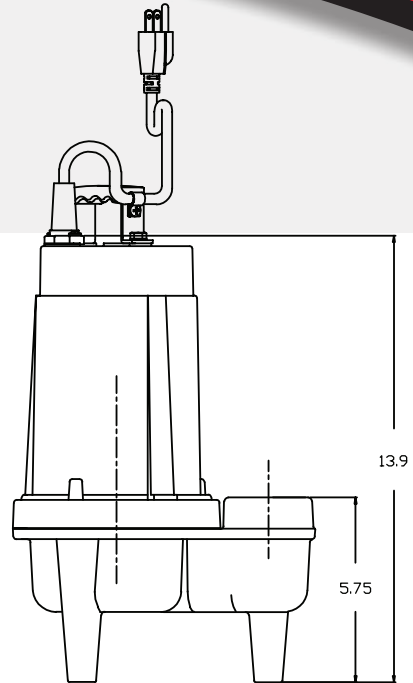


www.championpump.com

CHAMPION PUMP - PUMP PERFORMANCE CURVE



Discharge	2" NPT.
Solids Handling	2"
Liquid Temperature	140 Degrees F. (Intermittent)
Motor Housing	Cast Iron
Volute	Cast Iron
Seal Plate	Cast Iron
Impeller	Cast Iron/Vortex
Shaft	Stainless Steel
Shaft Seal	Inboard Mechanical With Secondary Exclusion V-Seal Carbon- Rotating Face Ceramic- Stationary Face Buna-N-Elastomer 300 Series Stainless Steel- Hardware
Bearing (Upper & Lower)	Single Row, Ball, Oil Lubricated
Hardware	300 Series Stainless Steel
Square Rings	Buna-N
Cord	(UL/CUL) Listed 16 AWG, Type SJTW 10' Length Standards. Up To 50' Available
Cord Entry	Compression Grommet- Outer Jacket Seal, Quick Disconnect Pin Terminals
Motor (Single Phase)	1/2 HP, 3450 RPM, 60Hz NEMA L Includes Overload Protection In The Motor. Oil Filled, Class B Permanent Split Capacitor
Weight	38lbs (Manual)



Model	HP	Volts	Phase	Amps	Cord Length	Switch
CPW5-11	1/2	115	1	11.5	10	Manual
CPW5-12	1/2	115	1	11.5	20	Manual
CPW5-22	1/2	230	1	5.75	20	Manual
CPW5-13	1/2	115	1	11.5	30	Manual
CPW5-15	1/2	115	1	11.5	50	Manual
CPW5-11 H	1/2	115	1	11.5	10	Float
CPW5-12 H	1/2	115	1	11.5	20	Float
CPW5-22 H	1/2	230	1	5.75	20	Float
CPW5-13 H	1/2	115	1	11.5	30	Float
CPW5-11 V	1/2	115	1	11.5	10	Vertical Float
CPW5-12 V	1/2	115	1	11.5	20	Vertical Float
CPW5-22 V	1/2	230	1	5.75	20	Vertical Float