



MERCURY DISPLACEMENT INDUSTRIES, INC.

Post Office Box 710 - U.S. 12 East - Edwardsburg, Michigan 49112-0710

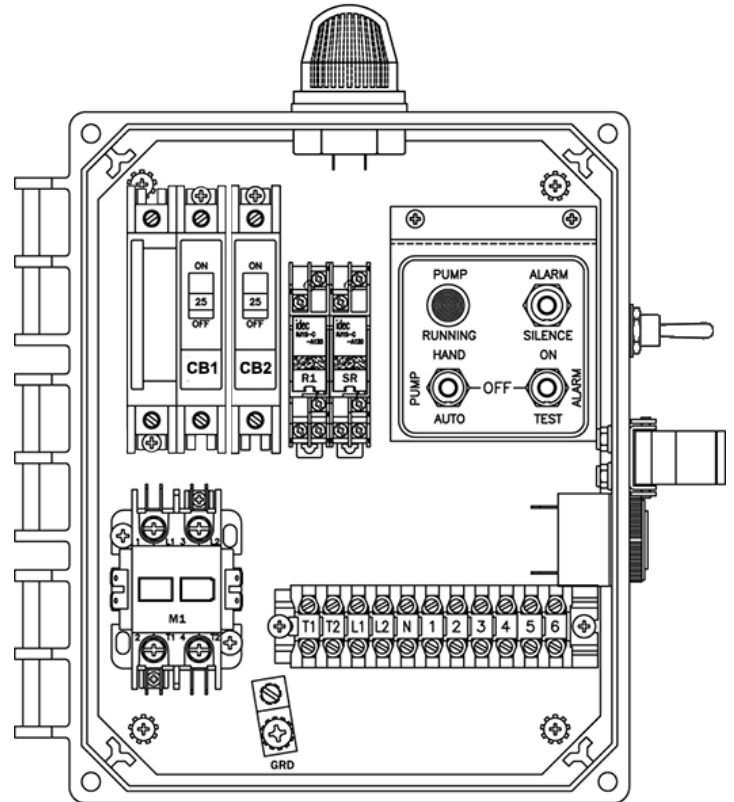
Phone (269) 663-8574 - Fax (269) 663-2924

(800) 634-4077

50A006-CBXST Model Simplex 115/208/230V 1 Phase Control Panel

Features & Benefits

- Circuit Breakers for Pump Circuit
- Definite Purpose Contactor
- Easy to Access Terminal Block
- Usable with 115, 208 or 230 VAC
- Alarm Silence & On-Off-Test Switches
- Externally Mounted Audible Alarm
- Pump Hand-Off-Auto Switch
- Pump Running Light
- External Alarm Light
- Ground Lugs
- Color Coded Internal Wiring
- Rugged Weather Resistant Hinged Poly Enclosure w/Sst Latch
- Built and Labeled to UL 508A Standard w/Nema 4x Rating
- Provided with Wiring Schematic and Detailed Connection Diagram for Installer
- Mounting Feet for Enclosure
- External Test & Alarm Silence



Available Options (*)

- Fiberglass Enclosure
- IEC Motor Contactor
- Flasher
- Dead Front Inner Door
- Auxiliary Alarm Contacts
- Elapsed Time Meter
- Event or Cycle Counter
- Mercury or Mechanical Float Switches for the Pumps and High Water Alarm Circuits



Contactors - Relays - Switches

<http://www.mdious.com>



MERCURY DISPLACEMENT INDUSTRIES, INC.

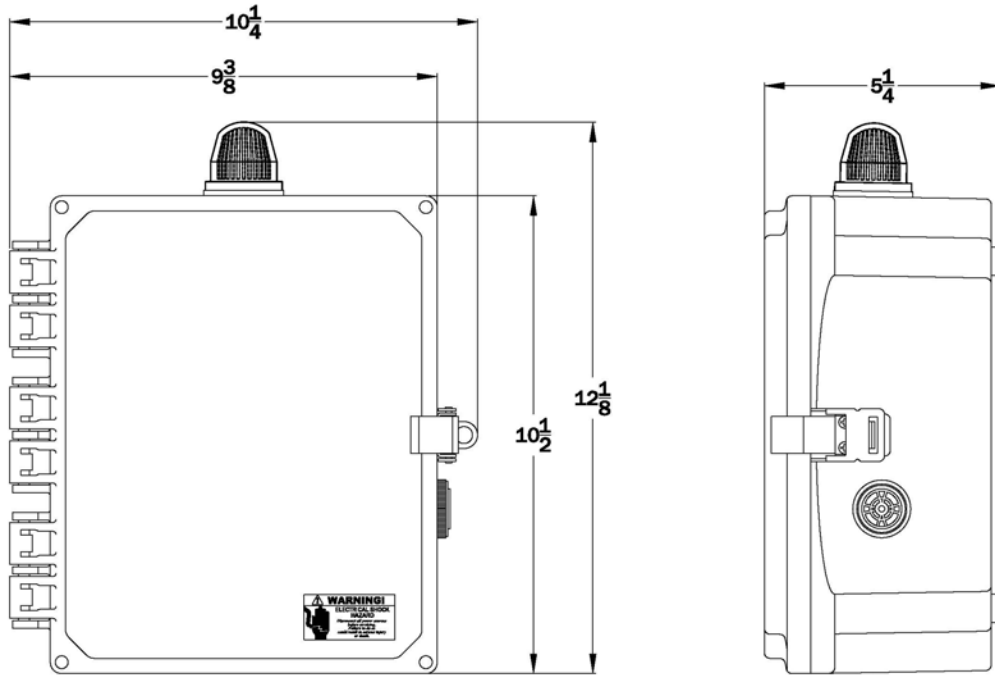
Post Office Box 710 - U.S. 12 East - Edwardsburg, Michigan 49112-0710

Phone (269) 663-8574 - Fax (269) 663-2924

(800) 634-4077

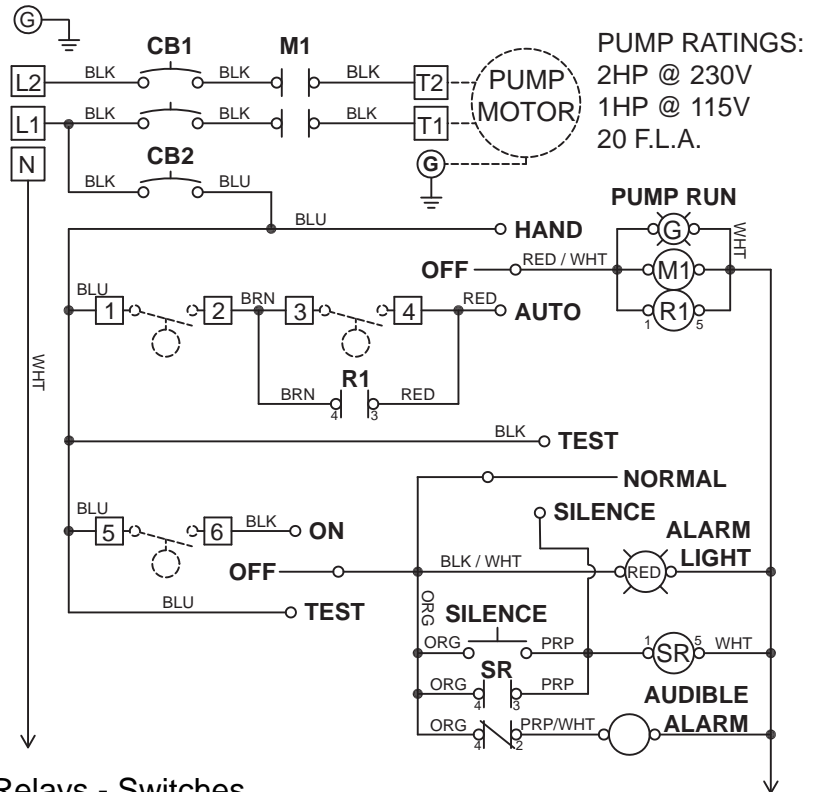
50A006-CBXST Model Simplex 115/208/230V 1 Phase Control Panel

Panel Dimensions



Panel Schematic

POWER CIRCUIT
115/230V - 1PH



NOTES:
PUMP MOTOR MUST HAVE INTERNAL OVERLOAD PROTECTION
FLOAT SWITCH TO BE RATED 2 AMP @ 120V MINIMUM.
MAIN PANEL DISCONNECT MUST BE PROVIDED BY INSTALLER.
DASHED LINES INDICATE ITEMS NOT CONTAIN IN THE PANEL.
REQUIRED TORQUE FOR TERMINAL BLOCK SCREWS IS 8 IN-LBS.
FIELD WIRING MUST BE A MINIMUM OF 60° COPPER WIRE.

Contactors - Relays - Switches