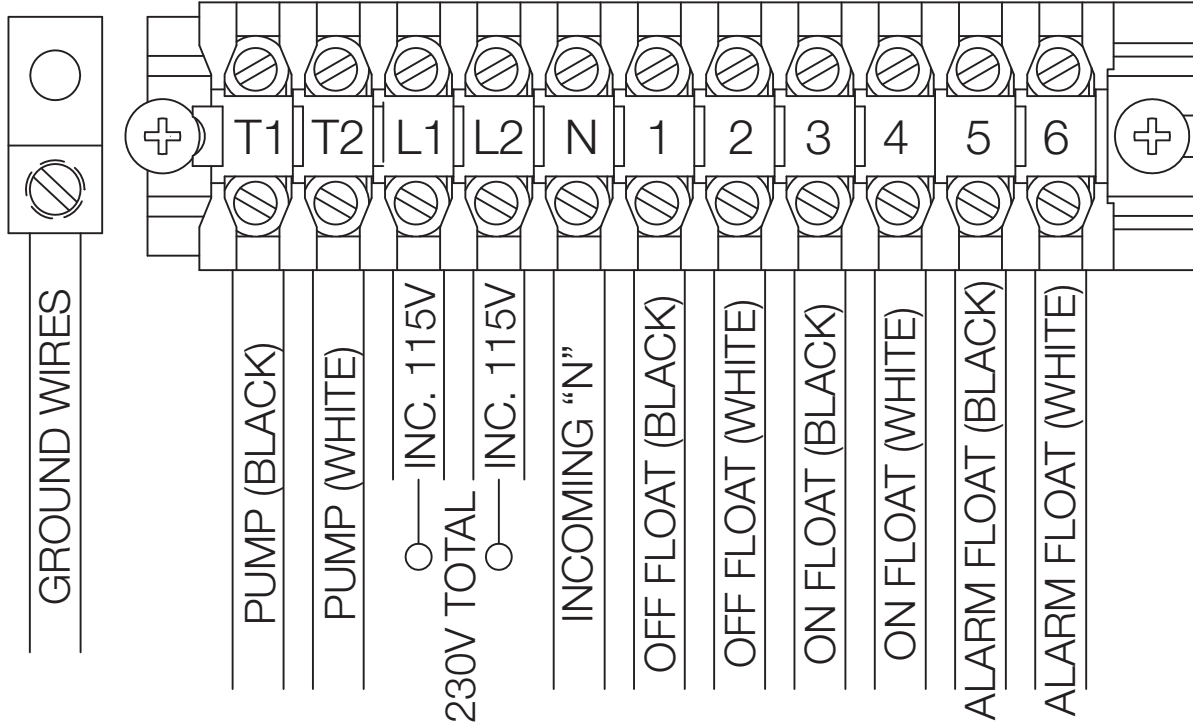


PANEL #: 50A006-CBXST

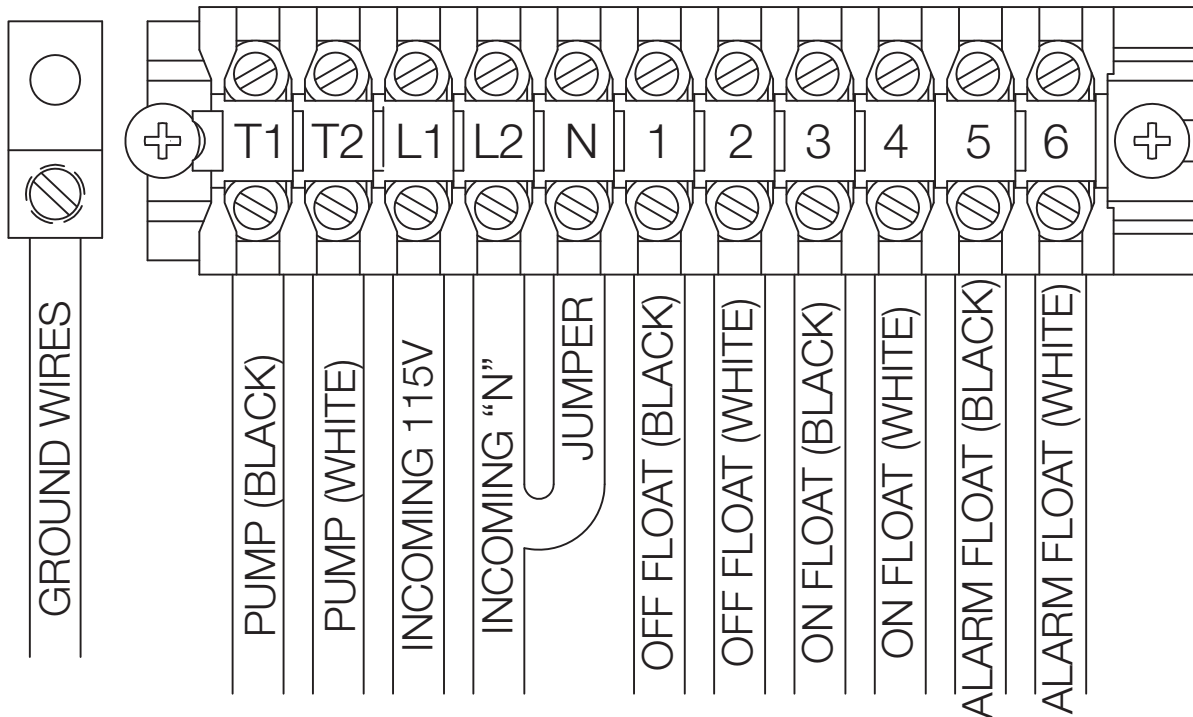
CONNECTION DIAGRAM

REQUIRED TORQUE FOR TERMINAL BLOCK SCREWS IS 16 in-lbs.

FOR 230V PUMPS

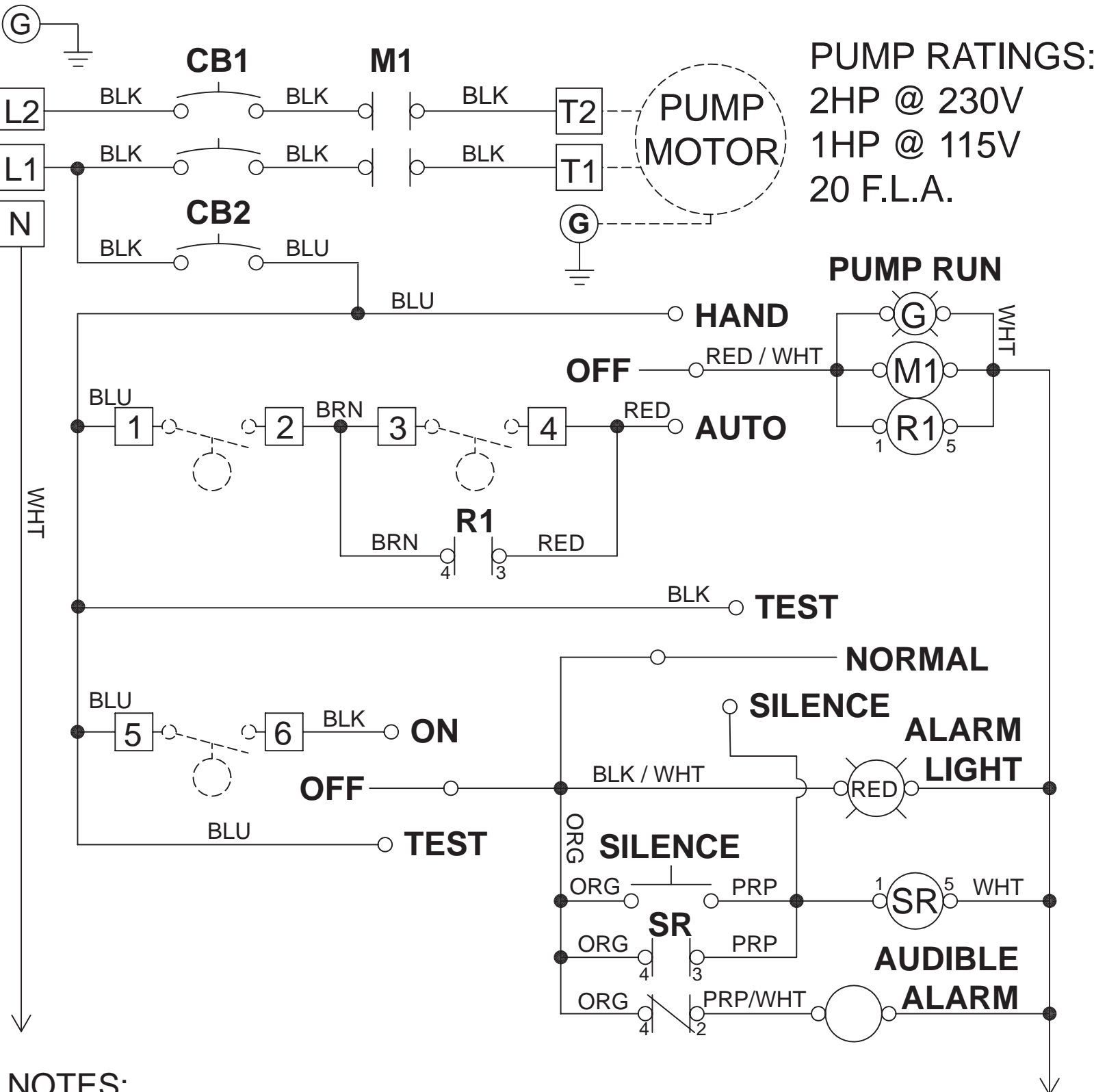


FOR 115V PUMPS



POWER CIRCUIT
115/230V - 1PH

NOTE: PUMP MOTOR MUST HAVE
INTERNAL OVERLOAD PROTECTION.



NOTES:
 FLOAT SWITCH TO BE RATED 2 AMP @ 120V MINIMUM.
 MAIN PANEL DISCONNECT MUST BE PROVIDED BY INSTALLER.
 DASHED LINES INDICATE ITEMS NOT COTAIN IN THE PANEL.
 REQUIRED TORQUE FOR TERMINAL BLOCK SCREWS IS 8 IN-LBS.
 FIELD WIRING MUST BE A MINIMUM OF 60° COPPER WIRE.