



MERCURY DISPLACEMENT INDUSTRIES, INC.

Post Office Box 710 - U.S. 12 East - Edwardsburg, Michigan 49112-0710

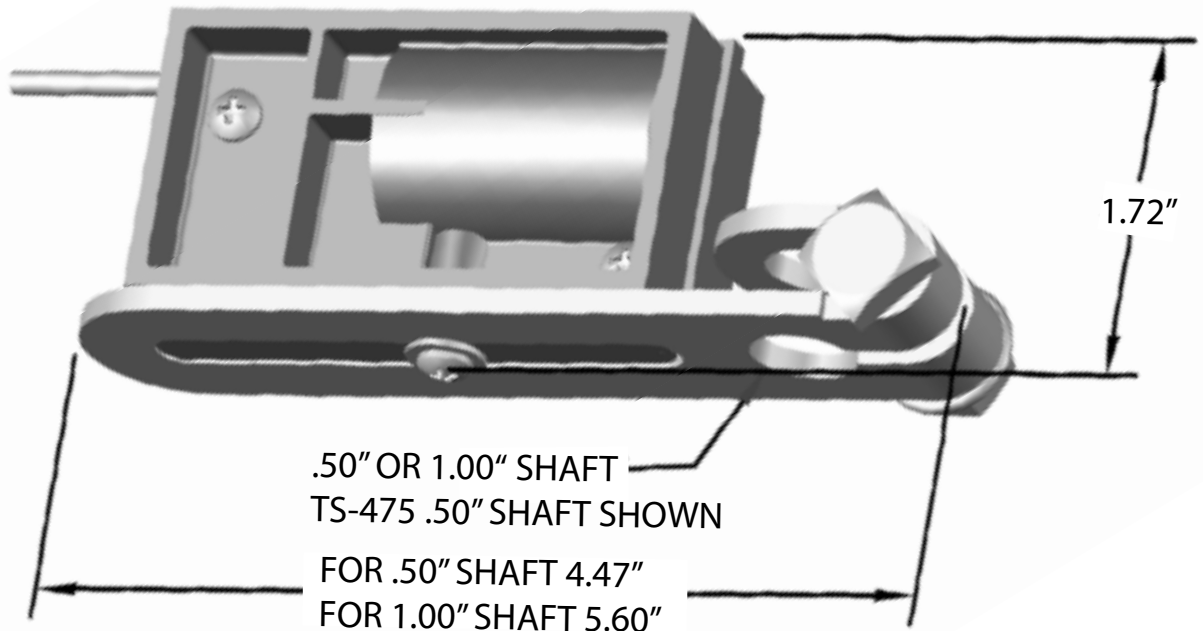
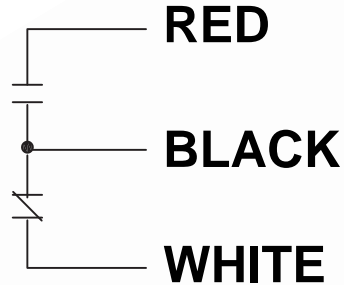
Phone (269) 663-8574 - Fax (269) 663-2924

(800) 634-4077

MECHANICAL DAMPER ARM SWITCH TS-475 & TS1-475

NORMALLY OPEN CONTACT
CLOSED WHEN LEAD END OF
SWITCH IS DOWN

NORMALLY CLOSED CONTACT
CLOSED WHEN LEAD END OF
SWITCH IS UP



WIRE: 18/3 CMP/CL39 PLENUM WIRE

HOUSING MAT'L: GLASS FILLED PBT

BRACKET MAT'L: PLATED STEEL

OPERATION: STEEL BALL ACTUATED SUBMINITURE SNAP ACTION SWITCH

RATINGS: 5 AMPS @ 120/240 VAC
5 AMPS @ 30 VDC

OPERATING ANGLE 25° MAX: SWITCHES AT OR BEFORE 15° BELOW HORIZONTAL &
AT OR BEFORE 10° ABOVE HORIZONTAL