



# MERCURY DISPLACEMENT INDUSTRIES, INC.

Post Office Box 710 - U.S. 12 East - Edwardsburg, Michigan 49112-0710

Phone (269) 663-8574 - Fax (269) 663-2924

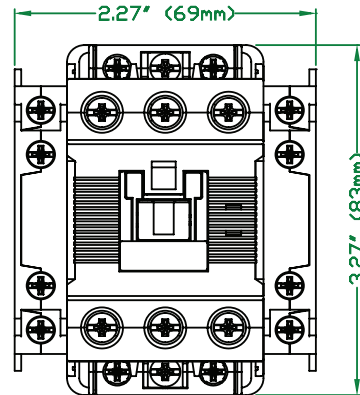
(800) 634-4077

## Midi Relays (IEC Contactors) 60 AMP Resistive Relay

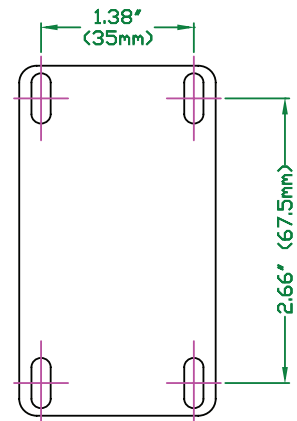
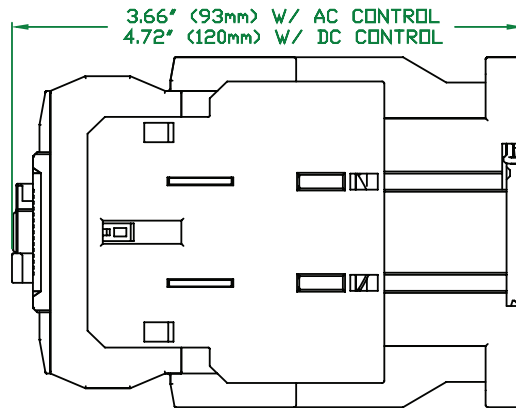
Could be used as a Single Pole, Two Pole or Three Pole Unit.



- 3-Pole (NO) Main Contact
- Finger Proof Design
- DIN-Rail or Screw Mountable
- 1NO1NC Auxiliary contacts built-in as standard
- Up to 1,800 Operations Per Hour
- Screw Terminal Type



- **Resistive Current (AC1):** 60 AMPS @ 690 VAC
- **Motor (AC3)**
  - **200-240 VAC:** 40 AMPS / 11 kW
  - **380-440 VAC:** 40 AMPS / 18.5 kW
  - **500-550 VAC:** 32 AMPS / 22 kW
  - **690 VAC Max:** 23 AMPS / 22 kW
- **Control Voltages:** 12 to 550 VC
- **Single Phase Motor AC 50/60Hz**
  - 110~120 VAC: 3HP
  - 220~240 VAC: 7.5HP
- **Three Phase Motor AC 50/60Hz**
  - 200~208 VAC: 15HP
  - 220~240 VAC: 15HP
  - 440~480 VAC: 30HP
  - 550~600 VAC: 30HP



### IEC Contactors

Model	Resistive Current	Terminal Type	Contact Voltage	Control Voltage
CC40SD12	60 AMPS	Screws	690 VAC	12 VDC
CC40SD24	60 AMPS	Screws	690 VAC	24 VDC
CC40SA24	60 AMPS	Screws	690 VAC	24 VAC
CC40SA48	60 AMPS	Screws	690 VAC	48 VAC
CC40SA110	60 AMPS	Screws	690 VAC	110 VAC
CC40SA120	60 AMPS	Screws	690 VAC	120 VAC
CC40SA220	60 AMPS	Screws	690 VAC	220 VAC

Contactors - Relays - Switches

<http://www.mdious.com>