



# MERCURY DISPLACEMENT INDUSTRIES, INC.

Post Office Box 710 - U.S. 12 East - Edwardsburg, Michigan 49112-0710

Phone (269) 663-8574 - Fax (269) 663-2924

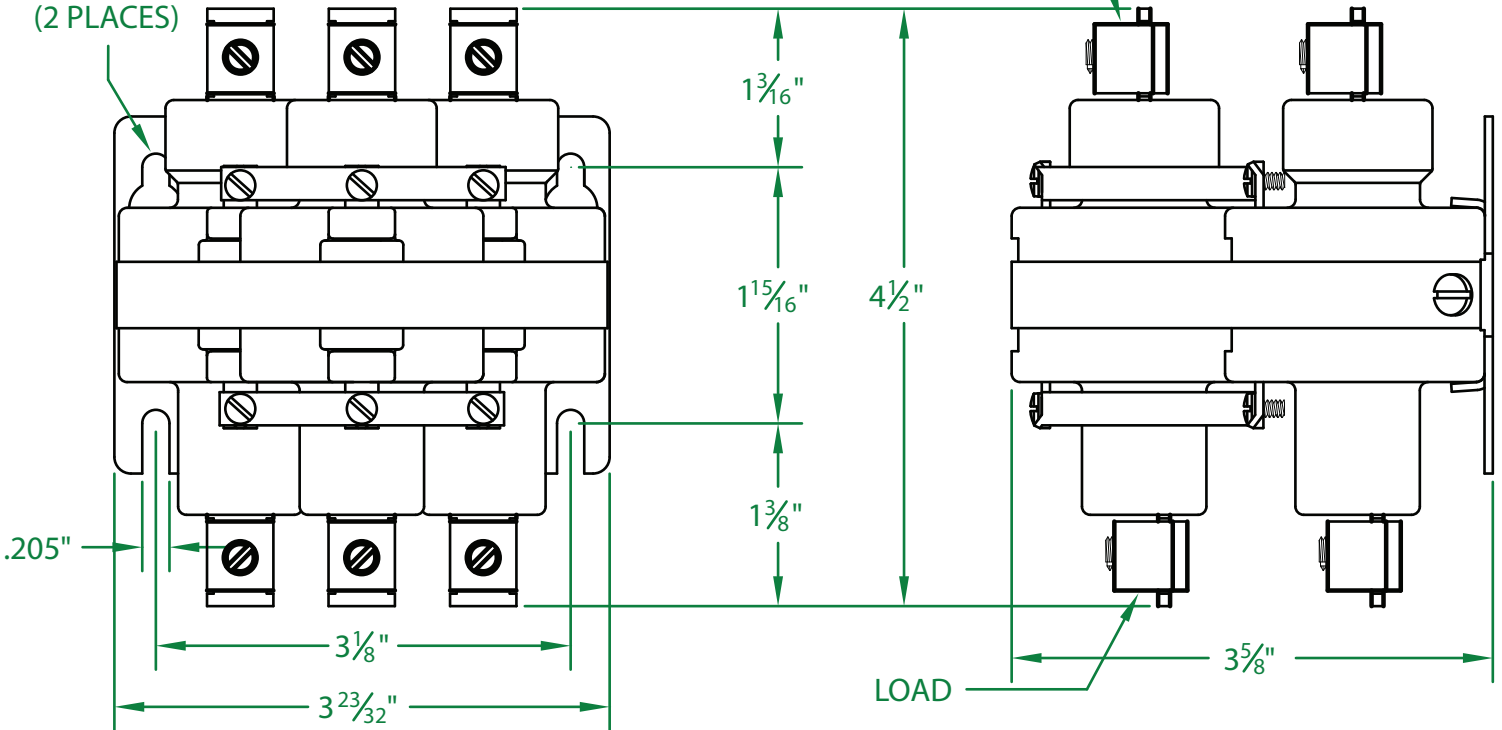
(800) 634-4077



INDUSTRIAL CONTROL EQUIPMENT

## 360NC-12D-18

.205" TO .402"  
KEYHOLES  
(2 PLACES)



\* CONTACT RESISTANCE .002 ohms

\* DIELECTRIC WITHSTAND 2,500 VAC RMS

\* OPERATE TIME 30 MILLISECONDS

\* RELEASE TIME 35 MILLISECONDS

\* RATINGS:

CONTACTS: 60 AMP @ 480 VAC  
RESISTIVE OR GENERAL PURPOSE

COIL: 12 V.D.C.

RESISTANCE: 12 Ω

CURRENT: 1,000 mA

VA: 12.0 WATTAGE: 12.0

\* TEMPERATURE RANGE -35° TO +85° C

\* COIL TERMINALS #6 BINDING HEAD SCREWS  
TORQUE TO 7 IN-LB

\* LOAD TERMINALS 2-8 AWG COMPRESSION TYPE  
TORQUE TO 45 IN-LB

\* THREE POLE / SINGLE THROW

\* STEEL STRAP (-18)

\* MAGNETICALLY ACTIVATED

\* MERCURY CONTACTOR

\* LIFE CYCLE ENDURANCE TESTS: U.L. 508 @ 100,00 & CSA 22.2 @ 250,000 CYCLES

Contactors - Relays - Switches

<http://www.mdius.com>