



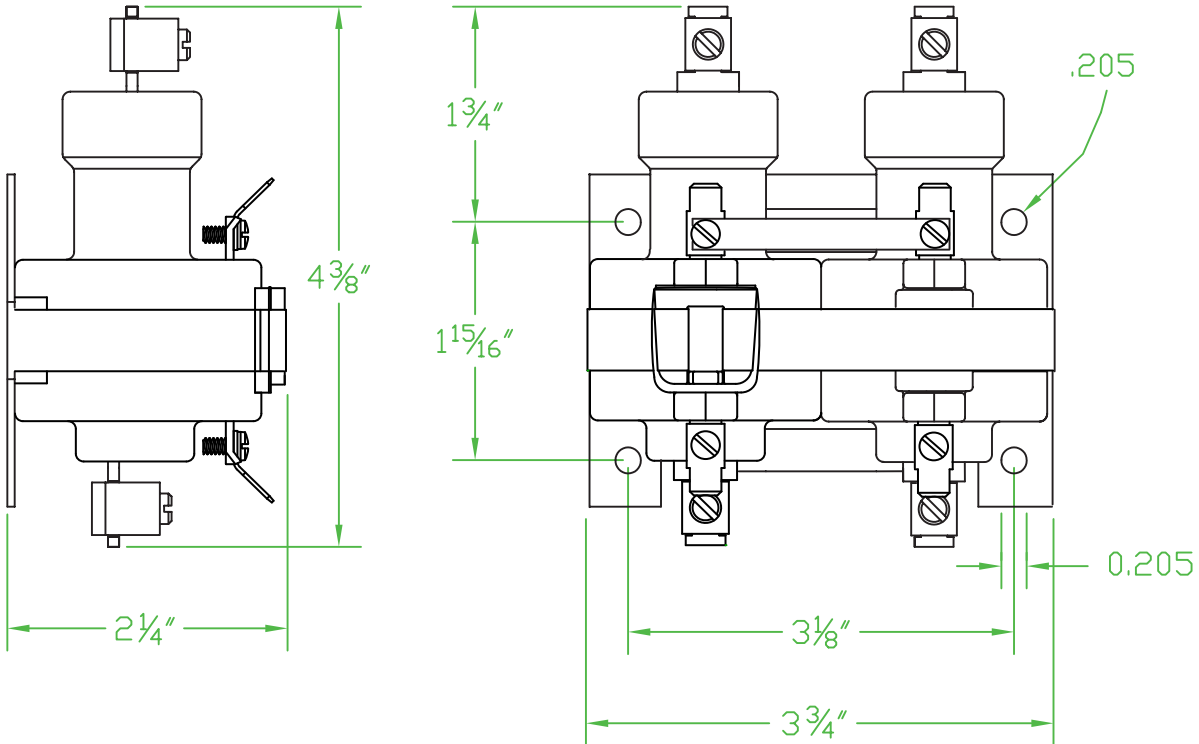
# MERCURY DISPLACEMENT INDUSTRIES, INC.

Post Office Box 710 - U.S. 12 East - Edwardsburg, Michigan 49112-0710

Phone (269) 663-8574 - Fax (269) 663-2924

(800) 634-4077

## 235NO-120AF



\* CONTACT RESISTANCE .003 ohms

\* DIELECTRIC WITHSTAND 2,500 VAC RMS

\* OPERATE TIME 50 MILLISECONDS

\* RELEASE TIME 80 MILLISECONDS

\* RATINGS: CONTACTS: 35 AMP @ 600 VAC

RESISTIVE

COIL: 120V 50/60 Hz

CURRENT: 106 mA

RESISTANCE: 625  $\Omega$

VA: 12.8 WATTAGE: 7

\* TEMPERATURE RANGE -35° TO +85° C

\* COIL TERMINALS #6 BINDING HEAD SCREWS  
TORQUE TO 7 IN-LB

\* LOAD TERMINALS 4-14 A.W.G. COMPRESSION  
TYPE TORQUE TO 31.5 IN-LB

\* TWO POLE / SINGLE THROW

\* MAGNETICALLY ACTIVATED

\* MERCURY CONTACTOR

\* LIFE CYCLE ENDURANCE TESTS: U.L. 508 @ 100,00 & CSA 22.2 @ 250,000 CYCLES

Contactors - Relays - Switches



<http://www.mdius.com>

INDUSTRIAL CONTROL EQUIPMENT