



MERCURY DISPLACEMENT INDUSTRIES, INC.

Post Office Box 710 - U.S. 12 East - Edwardsburg, Michigan 49112-0710

Phone (269) 663-8574 - Fax (269) 663-2924

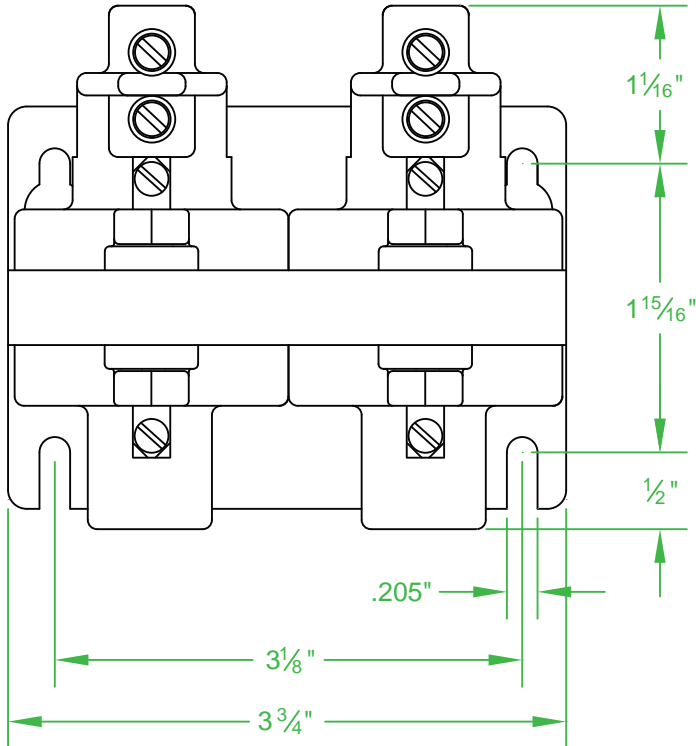
(800) 634-4077



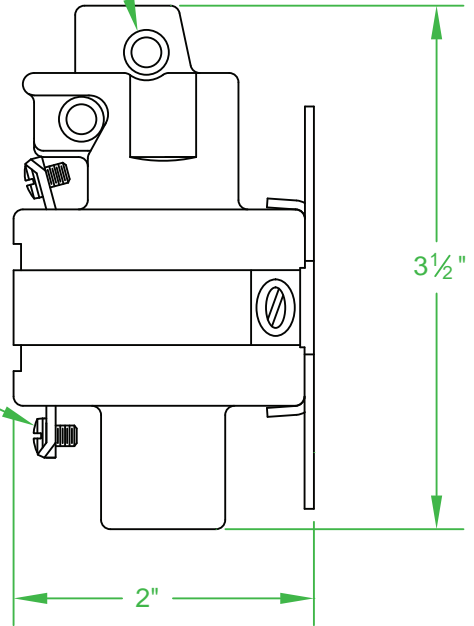
INDUSTRIAL CONTROL EQUIPMENT

235NC-125DT-18

ACCEPTS 6 TO 14 AWG



6-32 COIL SCREW



* CONTACT RESISTANCE .003 ohms

* DIELECTRIC WITHSTAND 2,500 VAC RMS

* OPERATE TIME 30 MILLISECONDS

* RELEASE TIME 35 MILLISECONDS

* RATINGS:

CONTACTS: 35 AMP @ 480 VAC
RESISTIVE OR GENERAL PURPOSE

COIL: 125 V.D.C.

RESISTANCE: 1,700 Ω

CURRENT: 74 mA

VA: 9.2 WATTAGE: 9.2

* TEMPERATURE RANGE -35° TO +85° C

* COIL TERMINALS #6 BINDING HEAD SCREWS
TORQUE TO 7 IN-LB

* LOAD TERMINALS 6-14 AWG

* TWO POLE / SINGLE THROW

* STEEL STRAP (-18)

* MAGNETICALLY ACTIVATED

* MERCURY CONTACTOR

* LIFE CYCLE ENDURANCE TESTS: U.L. 508 @ 100,00 & CSA 22.2 @ 250,000 CYCLES

Contactors - Relays - Switches

<http://www.mdius.com>