



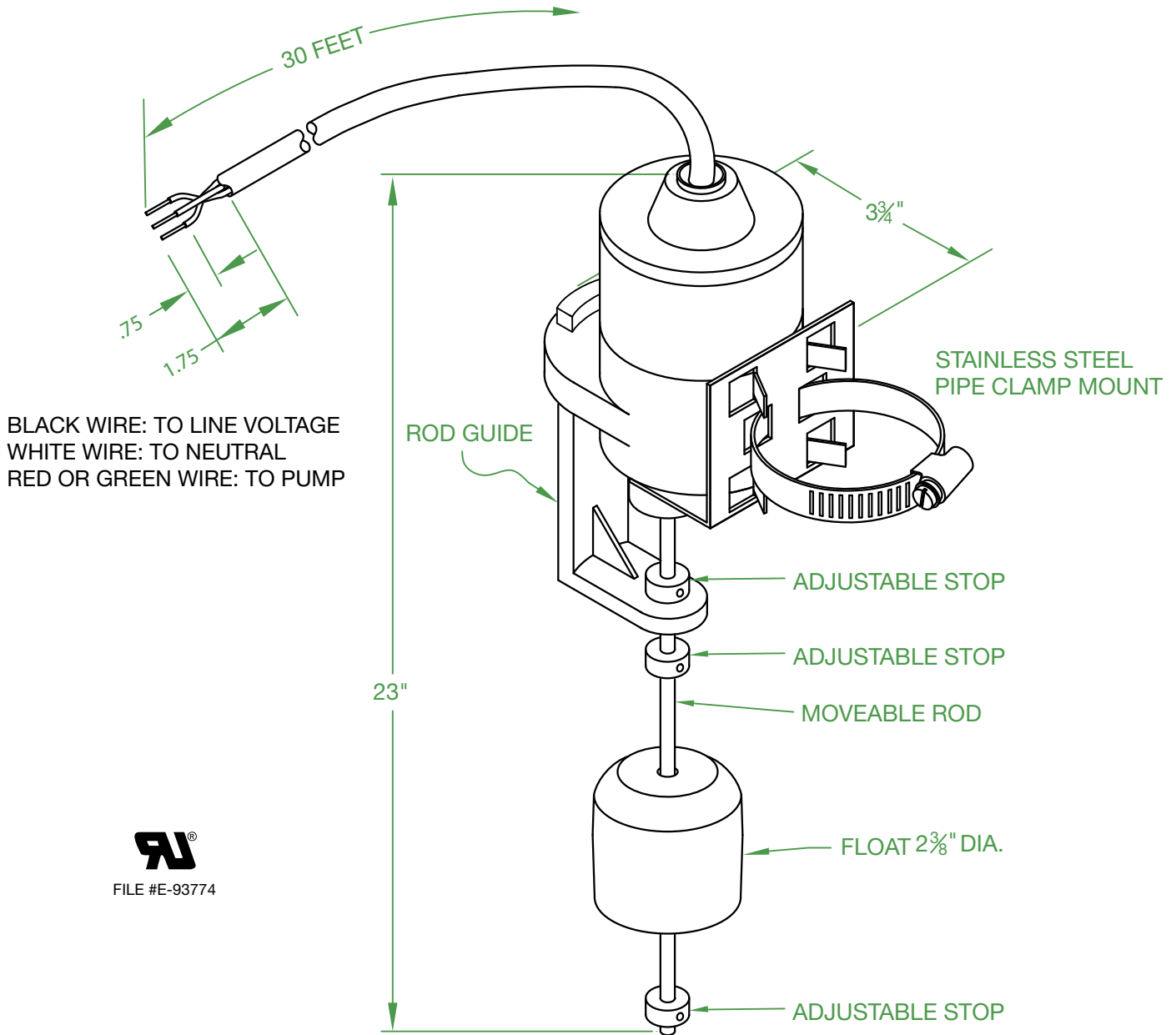
MERCURY DISPLACEMENT INDUSTRIES, INC.

Post Office Box 710 - U.S. 12 East - Edwardsburg, Michigan 49112-0710

Phone (269) 663-8574 - Fax (269) 663-2924

(800) 634-4077

VSO1-36000R18U-01



RATINGS

1 H.P. @ 120V 50/60 Hz
15 AMPS @ 120V 50/60 Hz
NORMALLY OPEN

MATERIAL

ABS HOUSING AND GUIDE
FIBERGLASS ROD
POLYPROPELENE FLOAT
STAINLESS STEEL ROD STOPS
14-3 SJOW CORD

TEMPERATURE

140° F / 60° C

PUMPING RANGE

1" - 15"

September 12, 2017

J.J.S.

Contactors - Relays - Switches

<http://www.mdius.com>