



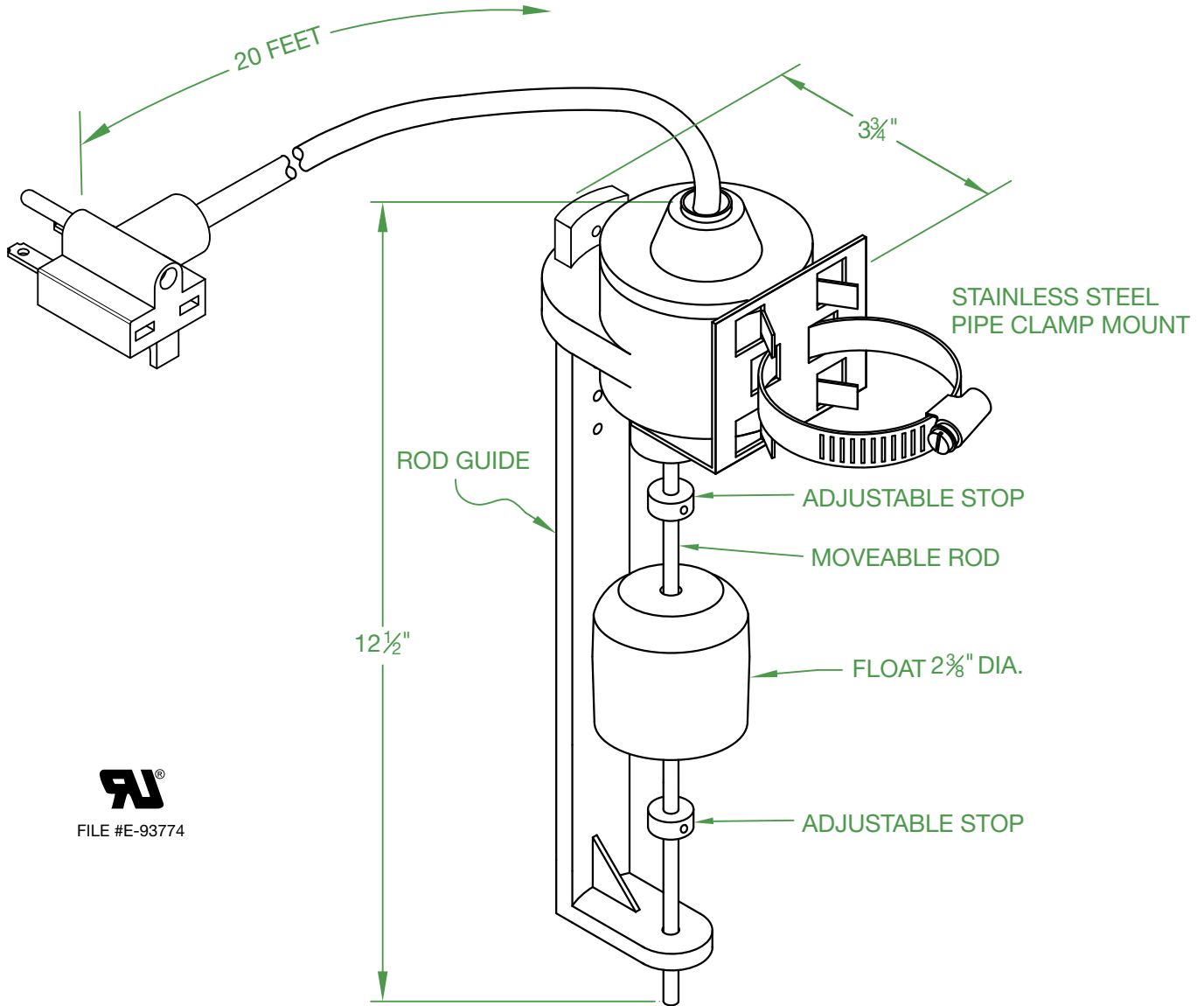
MERCURY DISPLACEMENT INDUSTRIES, INC.

Post Office Box 710 - U.S. 12 East - Edwardsburg, Michigan 49112-0710

Phone (269) 663-8574 - Fax (269) 663-2924

(800) 634-4077

VSC-240R2R9L-01 NORMALLY CLOSED (PUMP UP)



FILE #E-93774

RATINGS:

1/2 H.P. @ 240 V^{50/60} Hz
13 AMP @ 240 V^{50/60} Hz

MATERIAL:

ABS HOUSING AND GUIDE,
FIBERGLASS ROD,
POLYPROPELENE FLOAT.
STAINLESS STEEL ROD STOPS,
SJOW/SJTOW CORD.

TEMPERATURE:

140° F / 60° C

Contactors - Relays - Switches

March 19, 2020

J.J.S.

<http://www.mdius.com>