



MERCURY DISPLACEMENT INDUSTRIES, INC.

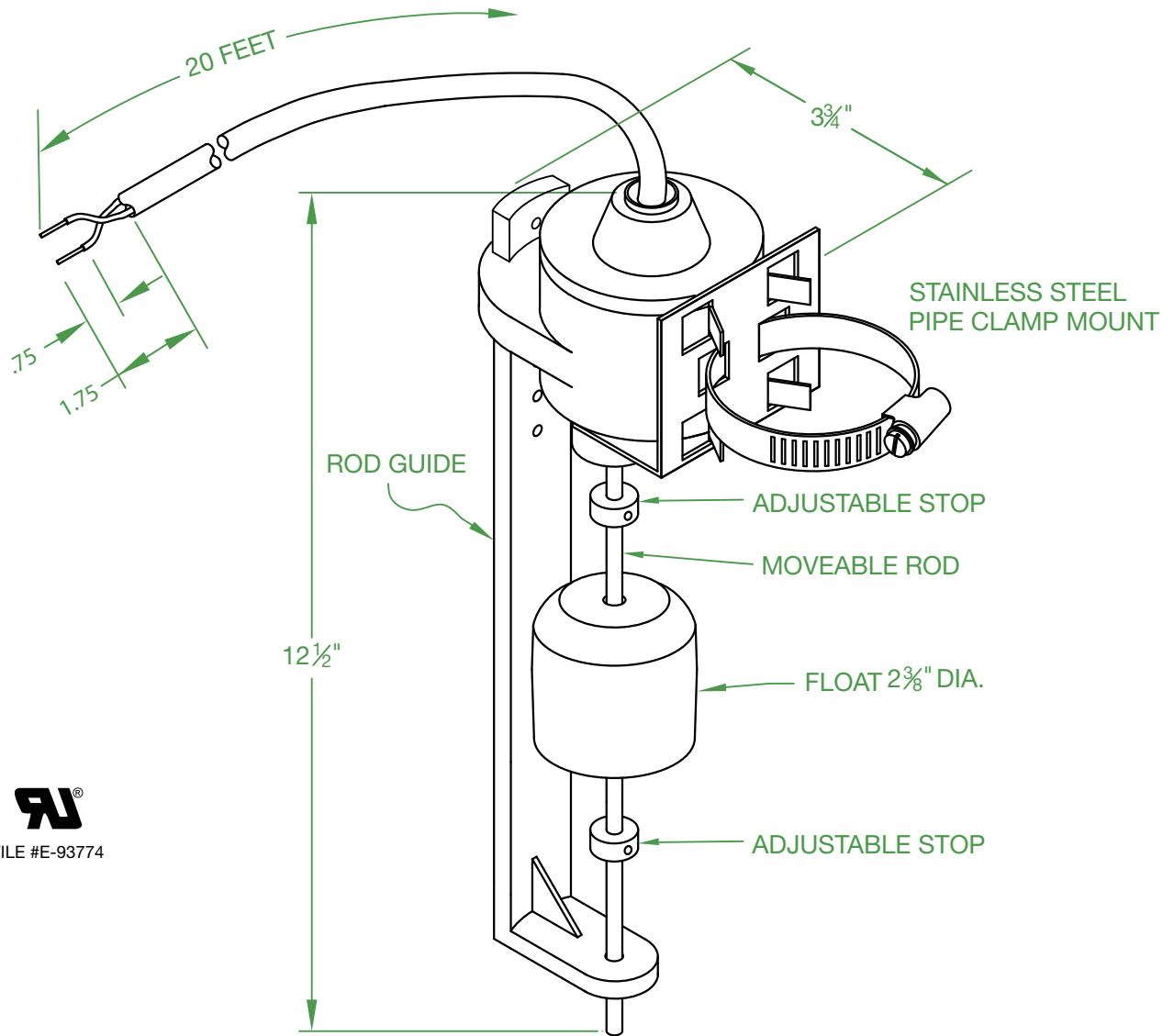
Post Office Box 710 - U.S. 12 East - Edwardsburg, Michigan 49112-0710

Phone (269) 663-8574 - Fax (269) 663-2924

(800) 634-4077

VSC-24000R9L-01

NORMALLY CLOSED (PUMP UP)



FILE #E-93774

RATINGS:

1/2 H.P. @ 120 V⁵⁰/₆₀ Hz
13 AMP @ 120 V⁵⁰/₆₀ Hz

MATERIAL:

ABS HOUSING AND GUIDE,
FIBERGLASS ROD,
POLYPROPELENE FLOAT.
STAINLESS STEEL ROD STOPS,
SJOW/SJTOW CORD.

TEMPERATURE:

140° F / 60° C

Contactors - Relays - Switches

March 19, 2020

J.J.S.