



MERCURY DISPLACEMENT INDUSTRIES, INC.

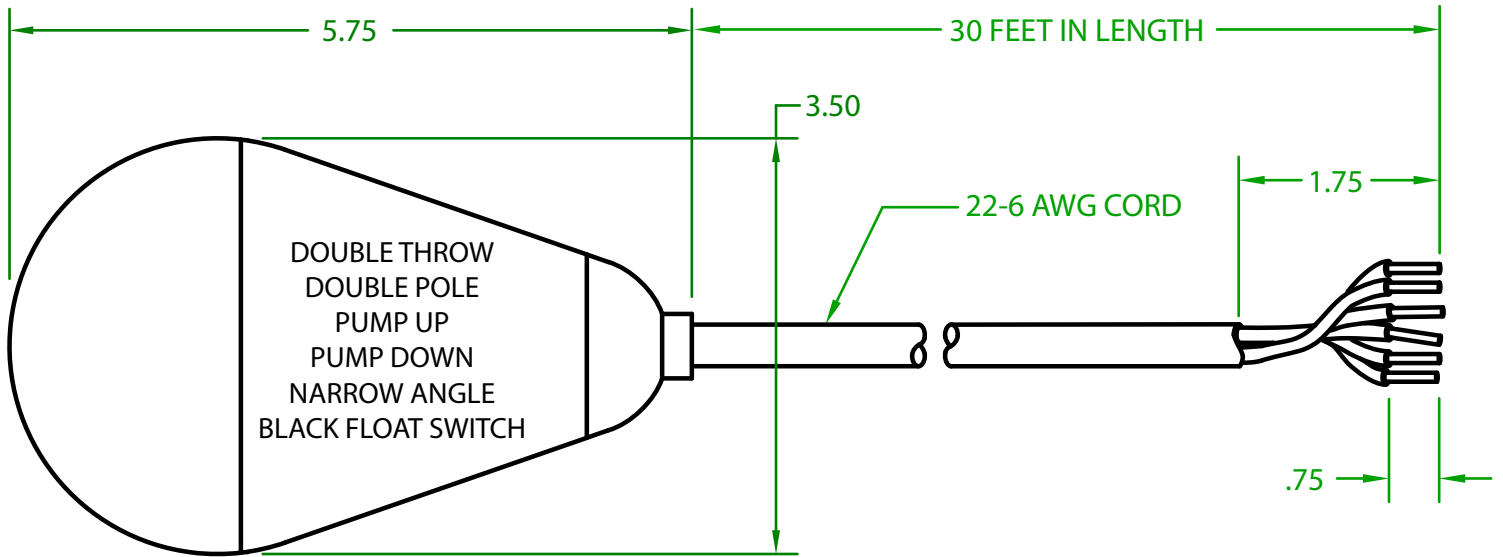
Post Office Box 710 - U.S. 12 East - Edwardsburg, Michigan 49112-0710

Phone (269) 663-8574 - Fax (269) 663-2924

(800) 634-4077

JXF2ZG3000

MECHANICAL CONTROL FLOAT
DOUBLE POLE - DOUBLE THROW (DPDT)



OPERATING ANGLE: FLOAT HANGING DOWN CONTACTS ARE OPEN
CONTACTS CLOSED @ 10° ABOVE HORIZONTAL
CONTACTS OPEN @ 5° BELOW HORIZONTAL

ELECTRICAL RATINGS: 5 AMPS @ 120/240 VAC
5 AMPS @ 30 VDC

FLOAT MATERIAL: A.B.S.

POLE 1: RED - NORMALLY OPEN (PUMP DOWN)
BLACK - COMMON
WHITE - NORMALLY CLOSED (PUMP UP)

POLE 2: BROWN - NORMALLY OPEN (PUMP DOWN)
GREEN - COMMON
BLUE - NORMALLY CLOSED (PUMP UP)

J.J.S. October 30, 2019

Rev. A 04-04-24

Contactors - Relays - Switches

<http://www.mdious.com>