



## MDI Grinder Pumps Features & Benefits

### Performance

- Heads up to 130' TDH
- Flows up to 68 GPM

### Motor

- Constant bearing lubrication
- Maximum motor cooling
- Runs cooler and lasts longer
- Internal overload protection
- 3 Bearings
- Fasteners and shaft made from rugged, corrosion resistant stainless steel

### Impeller & Cutter

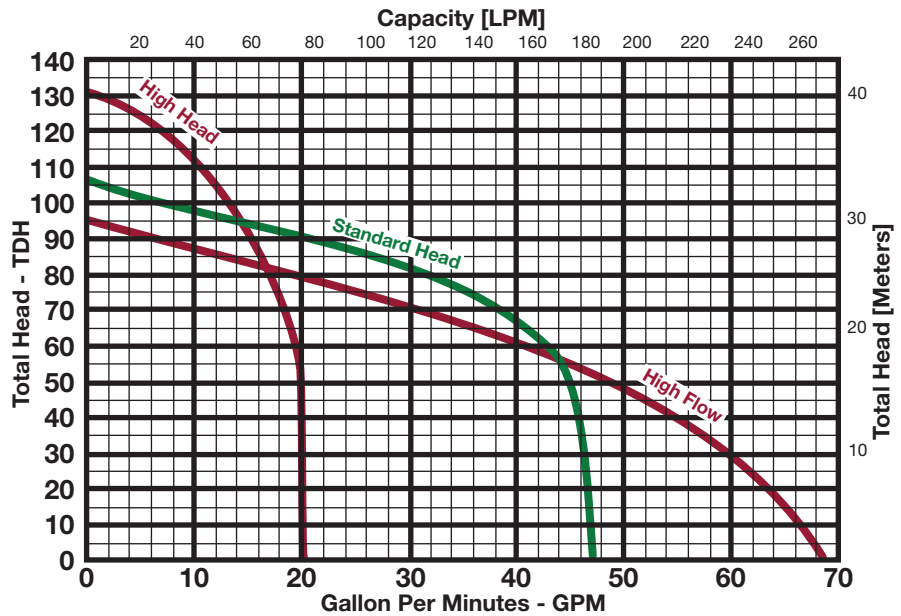
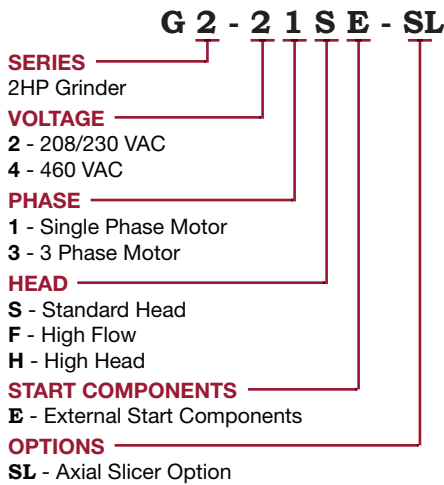
- Radial Cutter or Optional Axial Slicer (Add -SL)
- Advanced Slicing for "Flushables" (Wipes, Floor Pads, Etc.)
- 440C SST Hardened to 58-60 Rockwell C
- 24,000 cuts per second and 1.5 million cuts a minute



STANDARD  
"Radial" Cutter



OPTIONAL  
"Axial Slicer" (-SL)



## MDI Pumps

Model	HP	Voltage	Phase	Amps	Cord Length	Requires Panel	List Price
G2-21SE(-SL)	2	208/230	1	20.8/15.5	30'	Yes	\$1,886
G2-23SE(-SL)	2	208/230	3	9.5/8.5	30'	Yes	\$1,886
G2-43SE(-SL)	2	460	3	4.5	30'	Yes	\$1,886
G2-21FE(-SL)	2	208/230	1	22.5/16.5	30'	Yes	\$1,886
G2-23FE(-SL)	2	208/230	3	12.5/9.5	30'	Yes	\$1,886
G2-43FE(-SL)	2	460	3	5.5	30'	Yes	\$1,886
G2-21HE(-SL)	2	208/230	1	20.8/15.5	30'	Yes	\$1,886
G2-23HE(-SL)	2	208/230	3	9.5/8.5	30'	Yes	\$1,886
G2-43HE(-SL)	2	460	3	4.5	30'	Yes	\$1,886