

Every pump tested in water to ensure pump meets performance curve.



### FEATURES/BENEFITS

#### PERFORMANCE

- Heads up to 55' TDH
- Flows up to 42 GPM

#### MOTOR

- Internal or external capacitor start/capacitor run 115v or 208-230v, oil filled motors with upper and lower ball bearings and thermal over load protection
- Constant bearing lubrication
- Maximum motor cooling
- Runs cooler and lasts longer
- Internal overload protection
- Quiet operation
- Fasteners and shaft made from rugged, corrosion resistant stainless steel

#### SEAL DESIGN

- Single, Type 21 mechanical seal

#### IMPELLER DESIGN

- Non-clog style, cast-iron vortex impeller
- Designed to generate higher heads and reduce clogging by foreign materials
- Provides non-overloading performance

#### CUTTER ASSEMBLY

- 440 SST (56-60 Rockwell)
- 24,000 cuts per second and 1.5 million cuts a minute
- Designed to reduce over loading and clogging

#### POWER CORD

- Sealed entry quick disconnect power cords
- Prevents water from entering the motor housing through a cut cord
- Easy to replace in the field
- Available in lengths up to 100'

#### SWITCH

- Piggy-back switch design
- Defective switches can be diagnosed over the phone
- Pump can be operated manually or supplied with other piggy-back switches
- Switch can be replaced without having to replace the pump

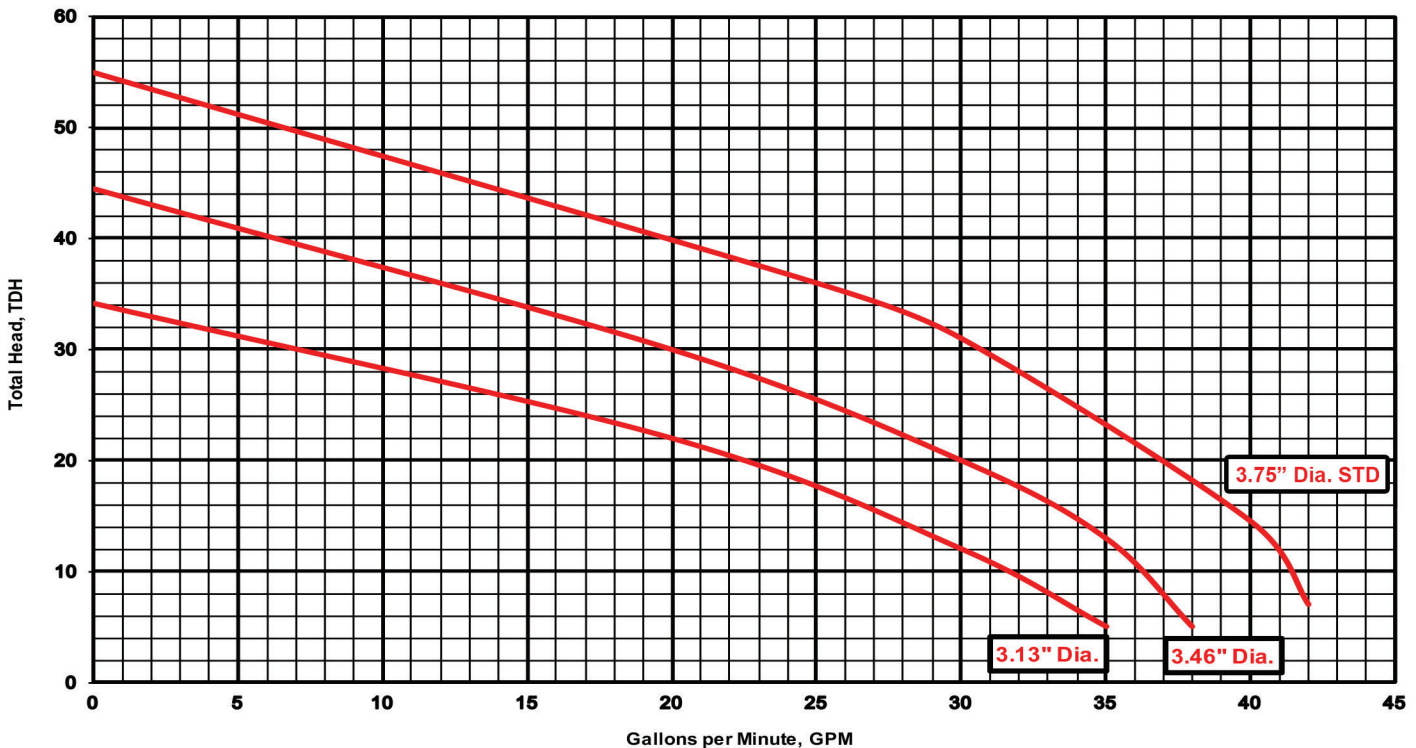
### APPLICATIONS

Residential developments, commercial developments and wastewater applications



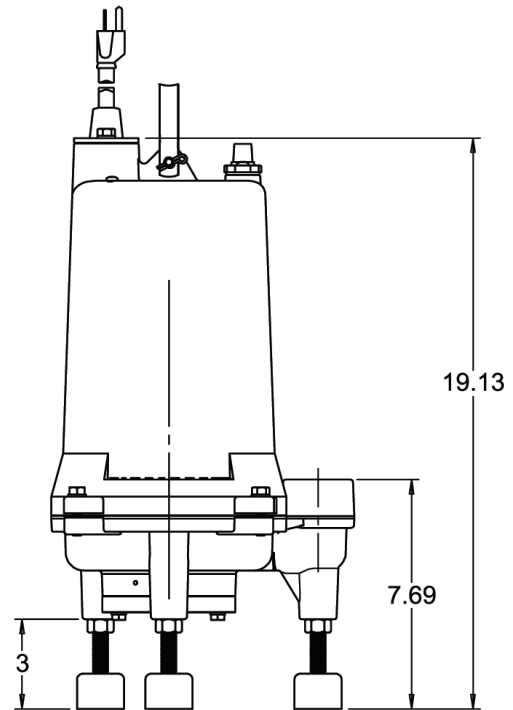
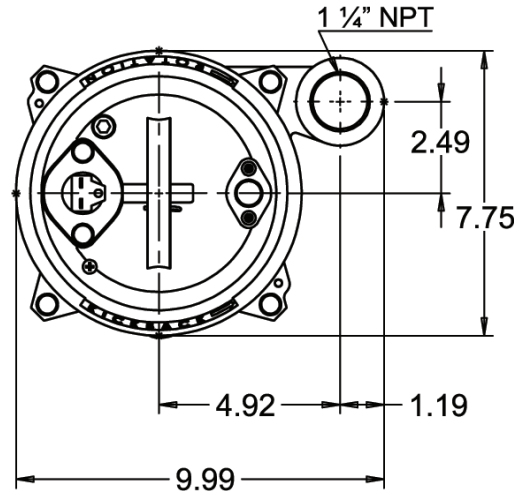
1 HP grinder pumps that have a 1 1/4" or 2" vertical discharge that handles up to 3" solids

### PERFORMANCE CURVE



# TECHNICAL DATA

<b>DISCHARGE</b>	1 1/4" NPT. vertical standard with optional 2" adapter
<b>SOLIDS HANDLING</b>	3"
<b>LIQUID TEMPERATURE</b>	140 Degrees F. (Intermittent)
<b>MOTOR HOUSING</b>	Cast Iron
<b>VOLUTE</b>	Cast Iron
<b>SEAL PLATE</b>	Cast Iron
<b>IMPELLER</b>	Cast Iron / Vortex
<b>SHAFT</b>	Stainless Steel
<b>SHAFT SEAL (SINGLE SEAL)</b>	Single mechanical, carbon rotating face, ceramic stationary face, Buna-N elastomer, 300 series stainless steel hardware
<b>BEARINGS (UPPER &amp; LOWER)</b>	Single row, ball, oil lubricated
<b>HARDWARE</b>	300 Series stainless steel
<b>O-RINGS</b>	Buna-N
<b>CORD</b>	10' Length standard. Up to 100' available. UL/CSA (SJOW) 14/3 (.375 OD) Quick disconnect pin terminals *UL/CSA (SO) Cord 14 Ga. (.60 OD)
<b>MOTOR (SINGLE PHASE)</b>	1 HP 3450 RPM. 60 Hz, Includes overload protection in the motor, oil filled, class F permanent split capacitor
<b>WEIGHT</b>	78 lbs. (Manual)



## MODEL(S) INFORMATION

MODEL	HP	VOLTS	PHASE	AMPS	CORD LENGTH	SWITCH
CPG1011	1	115	1	13	10'	Manual
CPG1012	1	115	1	13	20'	Manual
CPG1013	1	115	1	13	30'	Manual
CPG1015	1	115	1	13	50'	Manual
CPG1011A	1	115	1	13	10'	Wide-Angle Float
CPG1012A	1	115	1	13	20'	Wide-Angle Float
CPG1013A	1	115	1	13	30'	Wide-Angle Float
CPG1011V	1	115	1	13	10'	Vertical Float
CPG1012V	1	115	1	13	20'	Vertical Float
CPG1013V	1	115	1	13	30'	Vertical Float
CPG1022	1	230	1	6.5	20'	Manual
CPG1022A	1	230	1	6.5	20'	Wide-Angle Float
CPG1023	1	230	1	6.5	30'	Manual
CPG1023A	1	230	1	6.5	30'	Wide-Angle Float