

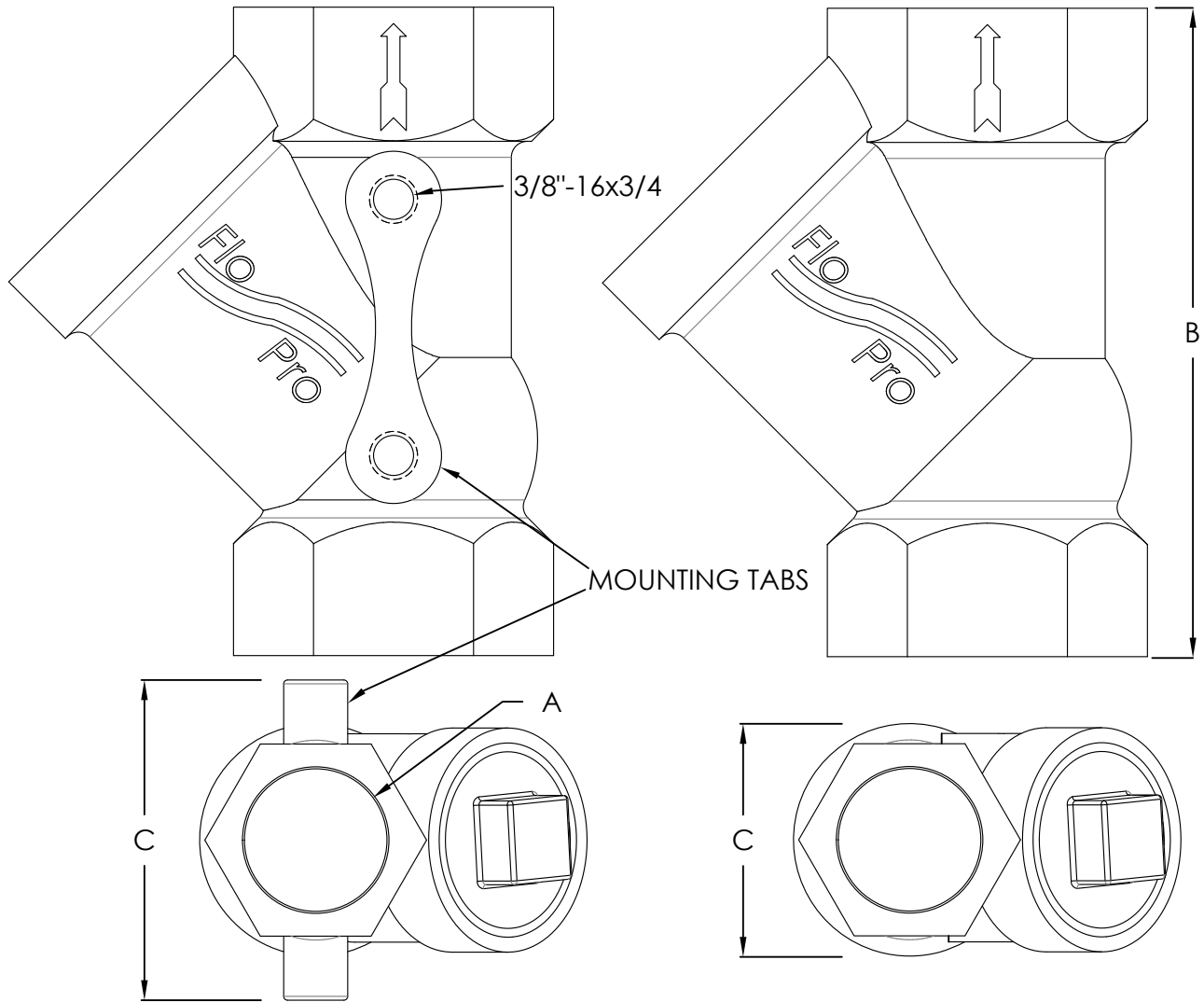
1 1/4" & 2" BALL CHECK VALVES



MODELS: FPBVA125, FPBVAW125, FPBVA200, FPBVAW200

www.FloProProducts.com

BALL CHECK VALVES: WITH OR WITHOUT MOUNTING TABS



	<u>FPBVA125</u>	<u>FPBVAW125</u>	<u>FPBVA200</u>	<u>FPBVAW200</u>
A	1 1/4"	1 1/4"	2"	2"
B	5"	5"	6 3/4"	6 3/4"
C	2 1/2"	3 3/5"	3 1/2"	5"

MATERIAL COMPOSITION
 CHECK VALVE: CAST IRON
 BALL: SOLID RUBBER NITRILE

SHIPPING WEIGHT: 5 & 9 LBS