

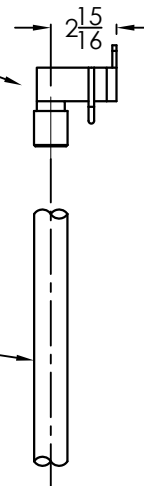
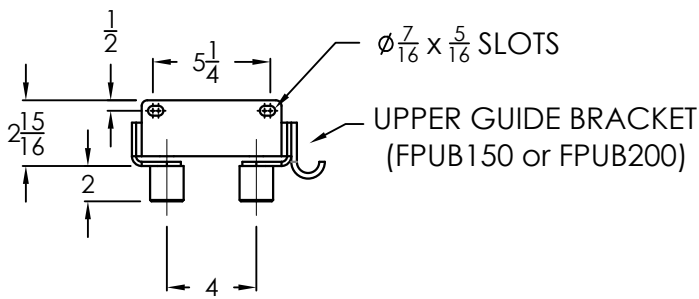
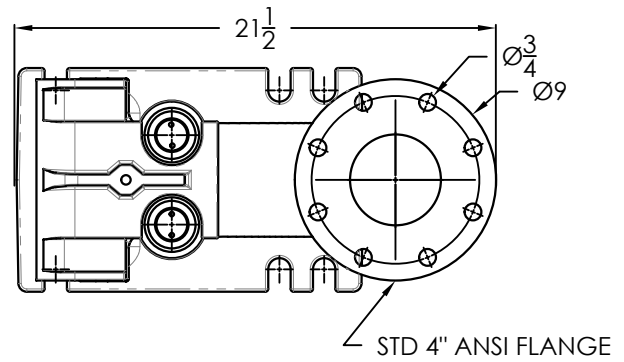
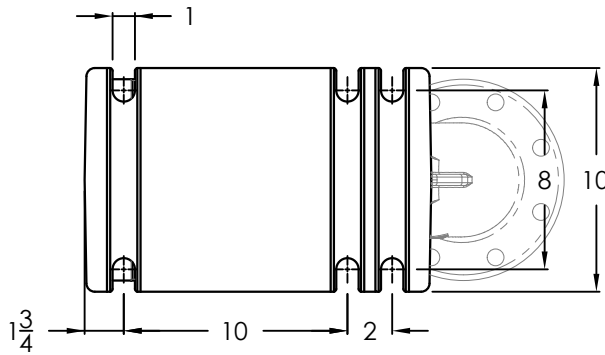
4"



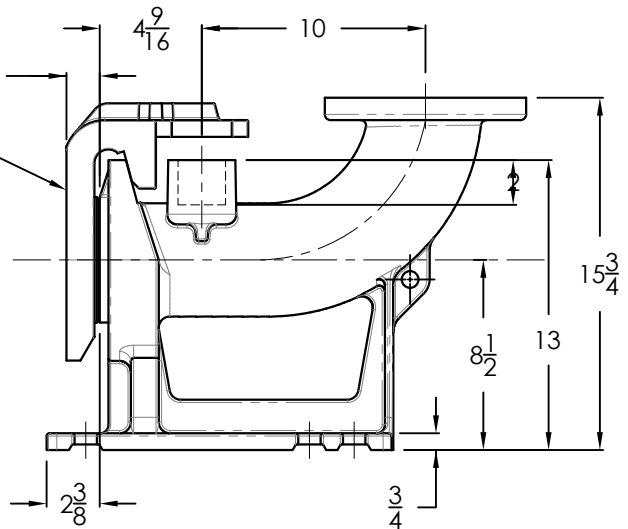
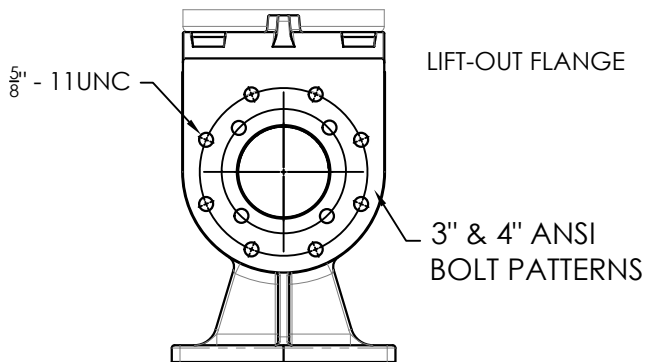
www.FloProProducts.com

MODELS: FPBEA400

BASE ELBOW ASSEMBLY (FLYGT COMPATIBLE)



ACCEPTS:
1 1/2" or 2" SCHD 40
GUIDE RAILS



MATERIAL COMPOSITION

BASE ELBOW: 65-45-12 CAST DUCTILE IRON

LIFT-OUT FLANGE: 65-45-12 CAST DUCTILE IRON

FLANGE SEALING RING: 304 STAINLESS STEEL

ALL HARDWARE IS 304 STAINLESS STEEL

MAX PUMP WEIGHT: 2000 LBS

SHIPPING WEIGHT: 156 LBS