

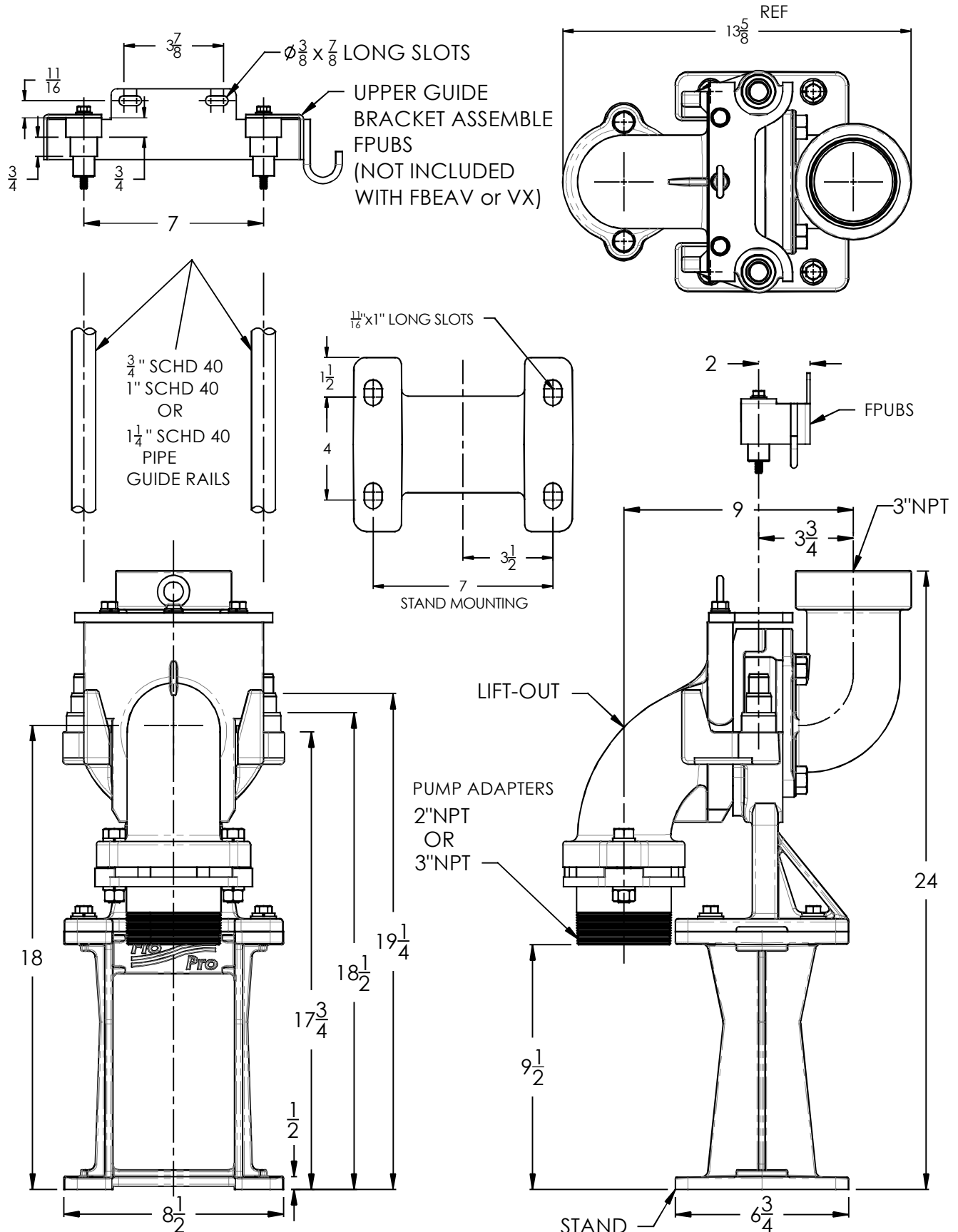
2" x 3", 3" x 3"



www.flo.pro.com

MODELS: FPBEA 320V - 300V (X)

BASE ELBOW ASSEMBLY



INSTALLATION DIMENSIONS

Weight allowance: 400 lbs