



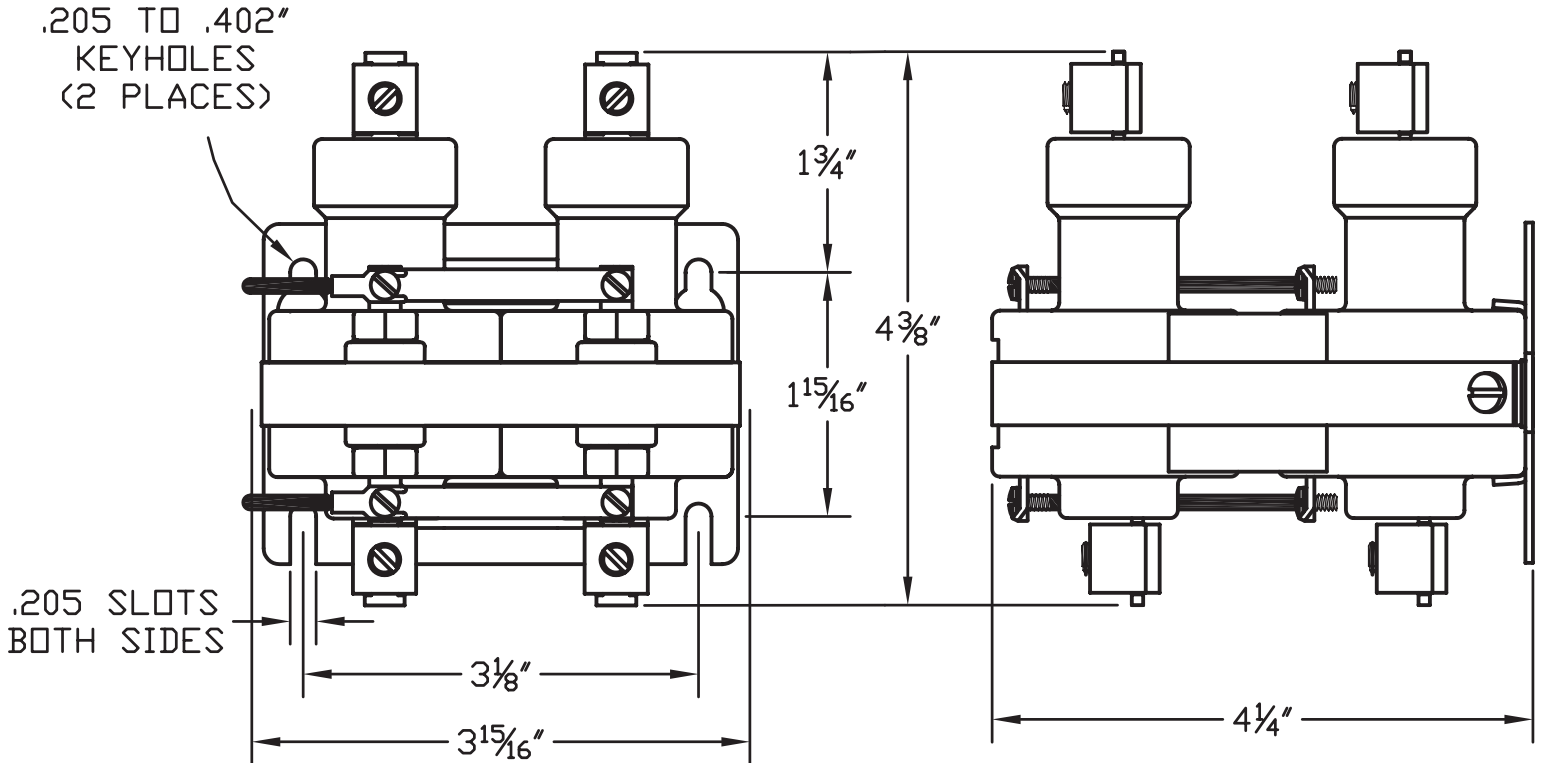
MERCURY DISPLACEMENT INDUSTRIES, INC.

Post Office Box 710 - U.S. 12 East - Edwardsburg, Michigan 49112-0710

Phone (269) 663-8574 - Fax (269) 663-2924

(800) 634-4077

460NO-120A-18



* CONTACT RESISTANCE .002 ohms

* DIELECTRIC WITHSTAND 2,500 VAC RMS

* OPERATE TIME 50 MILLISECONDS

* RELEASE TIME 80 MILLISECONDS

* RATINGS:

CONTACTS: 60 AMPS @ 480 VAC RES
48 AMPS @ 600 VAC RES

COIL: 120V 50/60 Hz

CURRENT: 192 mA

RESISTANCE: 312.5 Ω

VA: 23.2 WATTS: 11.6

* TEMPERATURE RANGE -35° TO +85° C

* COIL TERMINALS #6 BINDING HEAD SCREWS
TORQUE TO 7-IN-LBS

* LOAD TERMINALS 2-8 A.W.G. COMPRESSION TYPE
TORQUE TO 45 IN-LBS

* 4 POLE / SINGLE THROW

* MAGNETICALLY ACTIVATED



INDUSTRIAL CONTROL EQUIPMENT

* LIFE CYCLE ENDURANCE TESTS: U.L. 508 @ 100,00 & CSA 22.2 @ 250,000 CYCLES

J.J.S. 05-21-08

Contactors - Relays - Switches

<http://www.mdious.com>