



# MERCURY DISPLACEMENT INDUSTRIES, INC.

Post Office Box 710 - U.S. 12 East - Edwardsburg, Michigan 49112-0710

Phone (269) 663-8574 - Fax (269) 663-2924

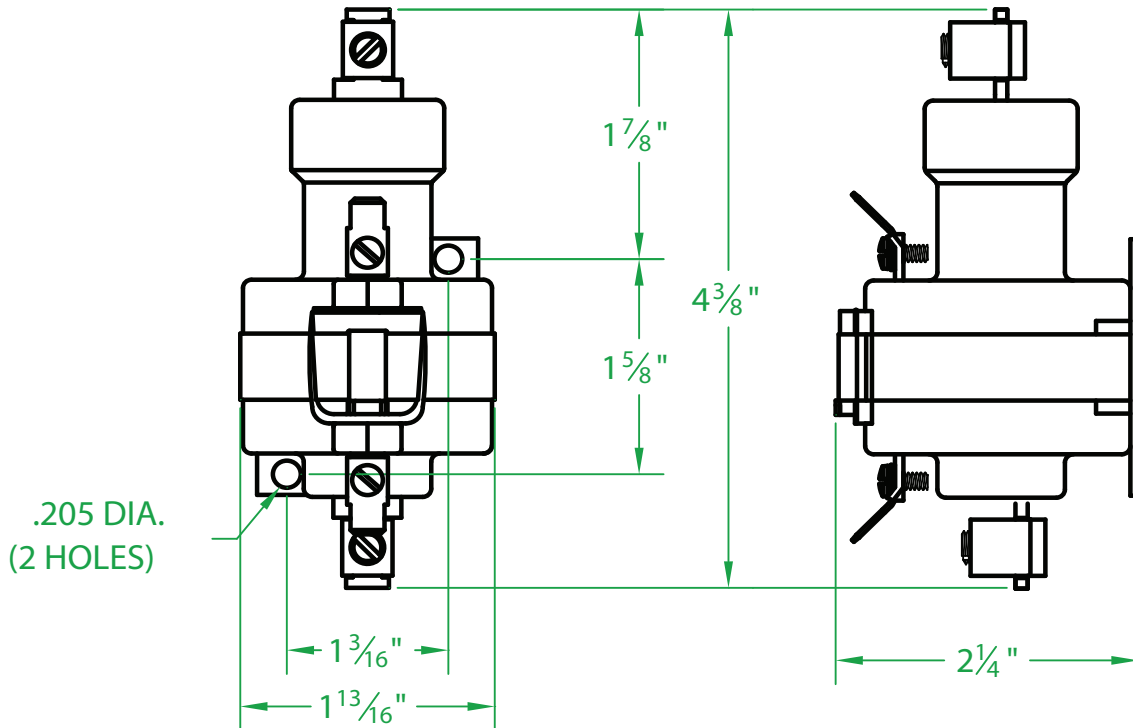
(800) 634-4077



## 35NO-24AF

INDUSTRIAL CONTROL EQUIPMENT

LOAD CONNECTORS: #4 TO #14 AWG



- \* CONTACT RESISTANCE .003 ohms
- \* DIELECTRIC WITHSTAND 2,500 VAC RMS
- \* OPERATE TIME 50 MILLISECONDS
- \* RELEASE TIME 80 MILLISECONDS
- \* RATINGS:
  - CONTACTS: 35 AMP @ 600 VAC RESISTIVE
  - COIL: 24 V 50/60 Hz
  - CURRENT: 242 mA
  - RESISTANCE: 50  $\Omega$
  - VA: 5.8 WATTAGE: 2.9
- \* TEMPERATURE RANGE -35° TO +85° C
- \* COIL TERMINALS #6 BINDING HEAD SCREWS TORQUE TO 7 IN-LB
- \* LOAD TERMINALS 4-14 A.W.G. COMPRESSION TYPE TORQUE TO 31.5 IN-LB
- \* SINGLE POLE / SINGLE THROW
- \* MAGNETICALLY ACTIVATED
- \* MERCURY CONTACTOR
- \* LIFE CYCLE ENDURANCE TESTS: U.L. 508 @ 100,00 & CSA 22.2 @ 250,000 CYCLES

Contactors - Relays - Switches

J.J.S. 09-03-08  
rev. A 11-16-09

<http://www.mdius.com>