



# MERCURY DISPLACEMENT INDUSTRIES, INC.

Post Office Box 710 - U.S. 12 East - Edwardsburg, Michigan 49112-0710

Phone (269) 663-8574 - Fax (269) 663-2924

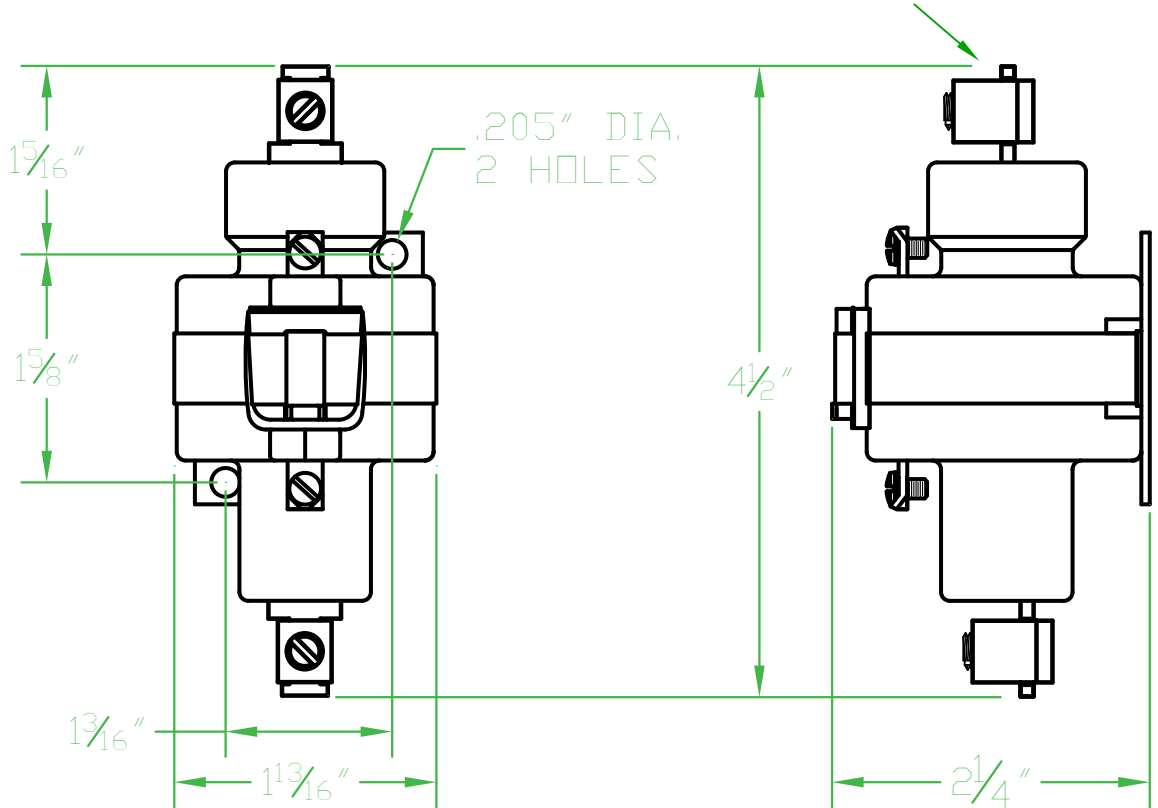
(800) 634-4077

## 35NC-12D

LOAD CONNECTORS: #4 TO #14 AWG

 939S LISTED  
INDUSTRIAL CONTROL EQUIPMENT

 LR 41198 CERTIFIED



\* CONTACT RESISTANCE .003 ohms

\* DIELECTRIC WITHSTAND 2,500 VAC RMS

\* OPERATE TIME 50 MILLISECONDS

\* RELEASE TIME 80 MILLISECONDS

\* RATINGS:

CONTACTS: 35 AMP @ 680 VAC

RESISTIVE OR GEN. PURPOSE

COIL: 12 V.D.C.

CURRENT: 333 mA

RESISTANCE: 36 Ω

VA: 4.0 WATTAGE: 4.0

\* TEMPERATURE RANGE -35° TO +85° C

\* COIL TERMINALS #6 BINDING HEAD SCREWS  
TORQUE TO 7 IN-LB

\* LOAD TERMINALS 4-14 A.W.G. COMPRESSION  
TYPE TORQUE TO 31.5 IN-LB

\* SINGLE POLE / SINGLE THROW

\* MAGNETICALLY ACTIVATED

\* MERCURY CONTACTOR

\* LIFE CYCLE ENDURANCE TESTS: U.L. 508 @ 100,00 & CSA 22.2 @ 250,000 CYCLES

Contactors - Relays - Switches

J.J.S. 11-23-2010

<http://www.mdius.com>