



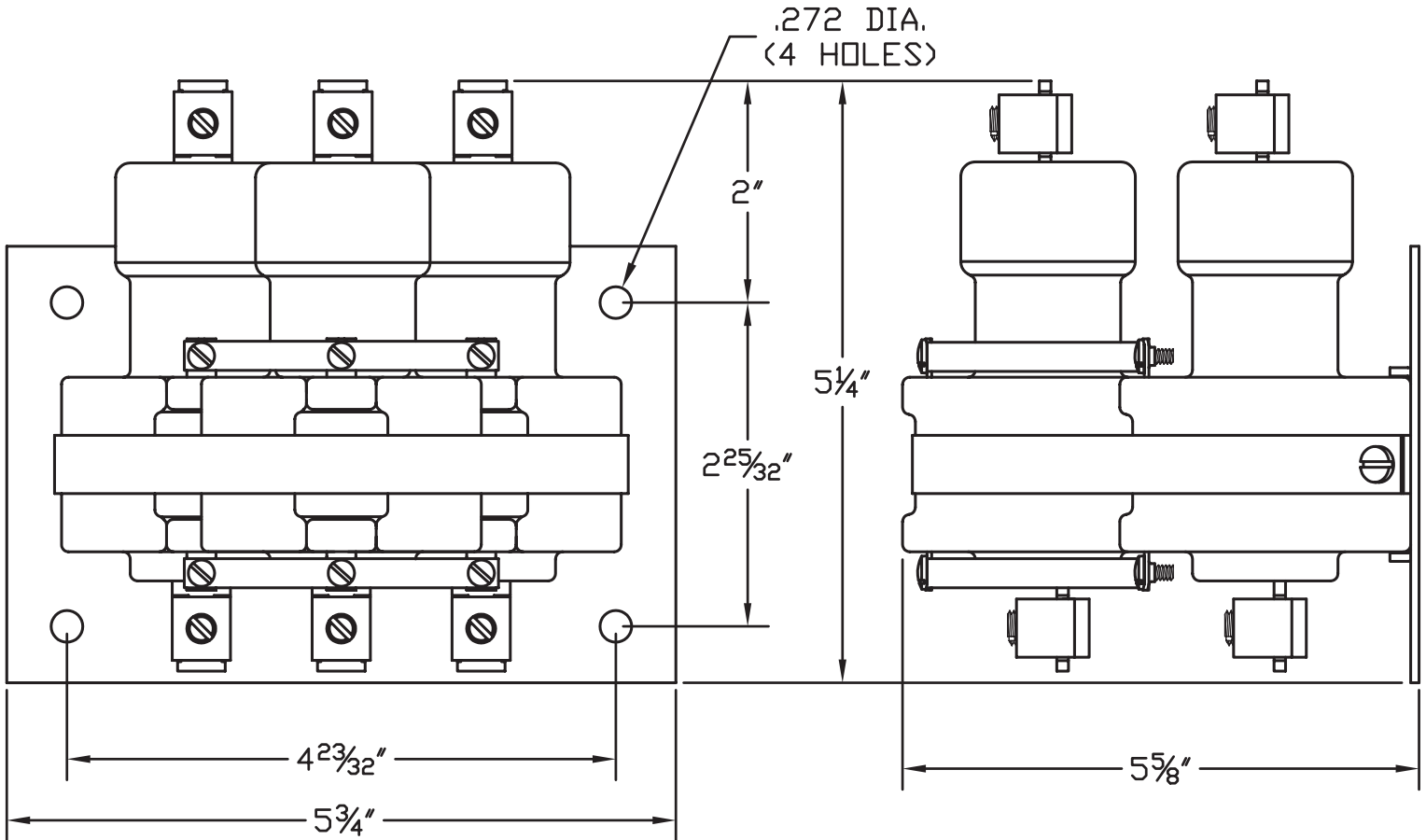
MERCURY DISPLACEMENT INDUSTRIES, INC.

Post Office Box 710 - U.S. 12 East - Edwardsburg, Michigan 49112-0710

Phone (269) 663-8574 - Fax (269) 663-2924

(800) 634-4077

3100NO-220AH



- * CONTACT RESISTANCE .001 ohms
- * DIELECTRIC WITHSTAND 2,500 VAC RMS
- * OPERATE TIME 45 MILLISECONDS
- * RELEASE TIME 60 MILLISECONDS
- * RATINGS:

CONTACTS: 100 AMPS @ 240 VAC RES.

80 AMPS @ 480 VAC RES.

COIL: 208/240V 50/60 Hz CURRENT: 219 MA

RESISTANCE: 467 Ω VA: 48.3

WATTAGE: 22.5 RESISTIVE OR GENERAL PURPOSE

- * TEMPERATURE RANGE -35° TO +85° C
- * COIL TERMINALS #6 BINDING HEAD SCREWS
TORQUE TO 7 IN-LB
- * LOAD TERMINALS 2-8 A.W.G. COMPRESSION
TYPE TORQUE TO 45 IN-LB
- * THREE POLE / SINGLE THROW
- * MAGNETICALLY ACTIVATED
- * MERCURY CONTACTOR

Contactors - Relays - Switches

J.J.S. 07-13-10