



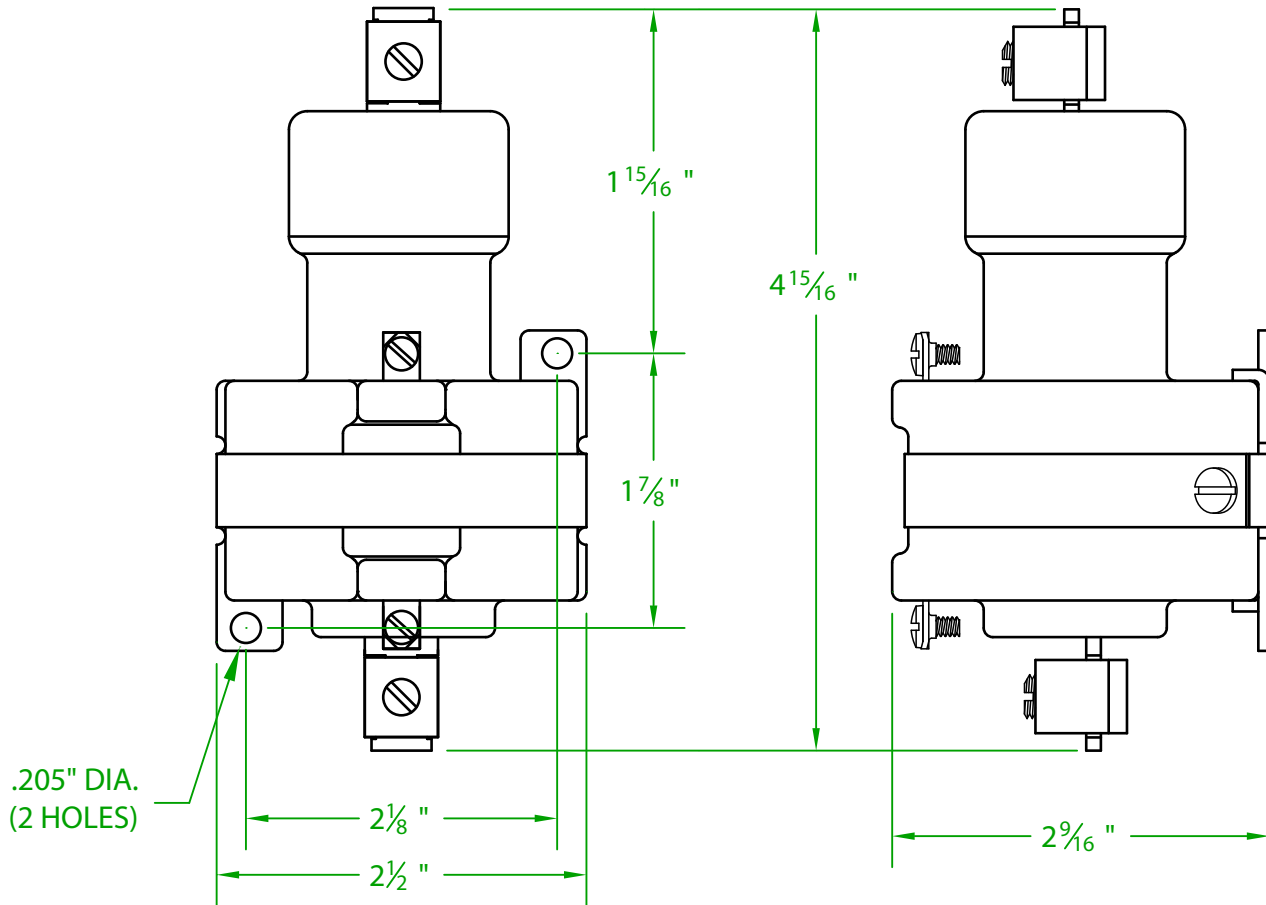
MERCURY DISPLACEMENT INDUSTRIES, INC.

Post Office Box 710 - U.S. 12 East - Edwardsburg, Michigan 49112-0710

Phone (269) 663-8574 - Fax (269) 663-2924

(800) 634-4077

100NO-24DH-6A



- * CONTACT RESISTANCE .001 ohms
- * DIELECTRIC WITHSTAND 8,000 VAC RMS
- * OPERATE TIME 45 MILLISECONDS
- * RELEASE TIME 60 MILLISECONDS
- * RATINGS:

CONTACTS: 10 AMPS @ 3500 VAC

15 AMPS @ 2500 VAC

COIL: 24 V.D.C. CURRENT: 462 mA

RESISTANCE: 52 Ω VA: 11.1

WATTAGE: 11.1 RESISTIVE OR GENERAL PURPOSE

- * TEMPERATURE RANGE -35° TO +85° C
- * COIL TERMINALS #6 BINDING HEAD SCREWS
TORQUE TO 7 IN-LB
- * LOAD TERMINALS 2-8 A.W.G. COMPRESSION
TYPE TORQUE TO 45 IN-LB
- * SINGLE POLE / SINGLE THROW
- * MAGNETICALLY ACTIVATED
- * MERCURY CONTACTOR

Contactors - Relays - Switches