



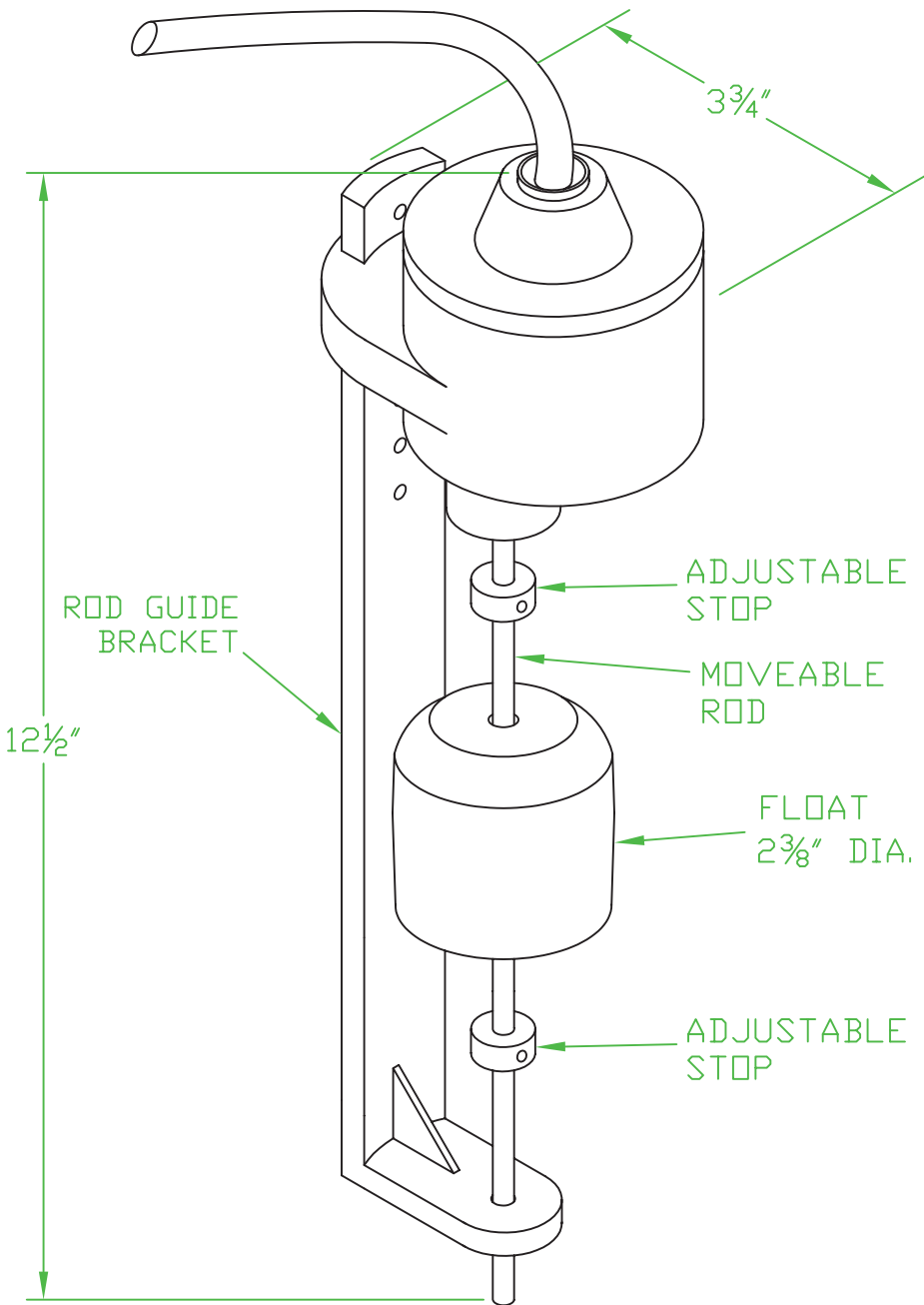
# MERCURY DISPLACEMENT INDUSTRIES, INC.

Post Office Box 710 - U.S. 12 East - Edwardsburg, Michigan 49112-0710

Phone (269) 663-8574 - Fax (269) 663-2924

(800) 634-4077

## VERTICAL FLOAT VS SERIES



### LIQUID LEVEL CONTROL

#### VS SERIES SUMP PUMP SWITCH

RATINGS: 10 AMP / 1/2 H.P. @ 120/240 V 50/60 Hz.

PUMPING RANGE: ADJUSTABLE UP TO 6 INCHES.

MATERIALS: \*ENCLOSURE AND BRACKET ARE A.B.S. PLASTIC.

\*FLOAT IS BLACK POLYPROPYLENE

MOUNTING: \*STANDARD MOUNTING HOLES FOR #8 SCREWS ON 2.06 INCH CENTERS ARE LOCATED UNDER HOUSING.

\*OPTIONAL PIPE MOUNT BRACKET ALLOWS FOR MOUNTING TO STANDARD SIZE SUMP DISCHARGE PIPING.

Contactors - Relays - Switches

<http://www.mdious.com>