



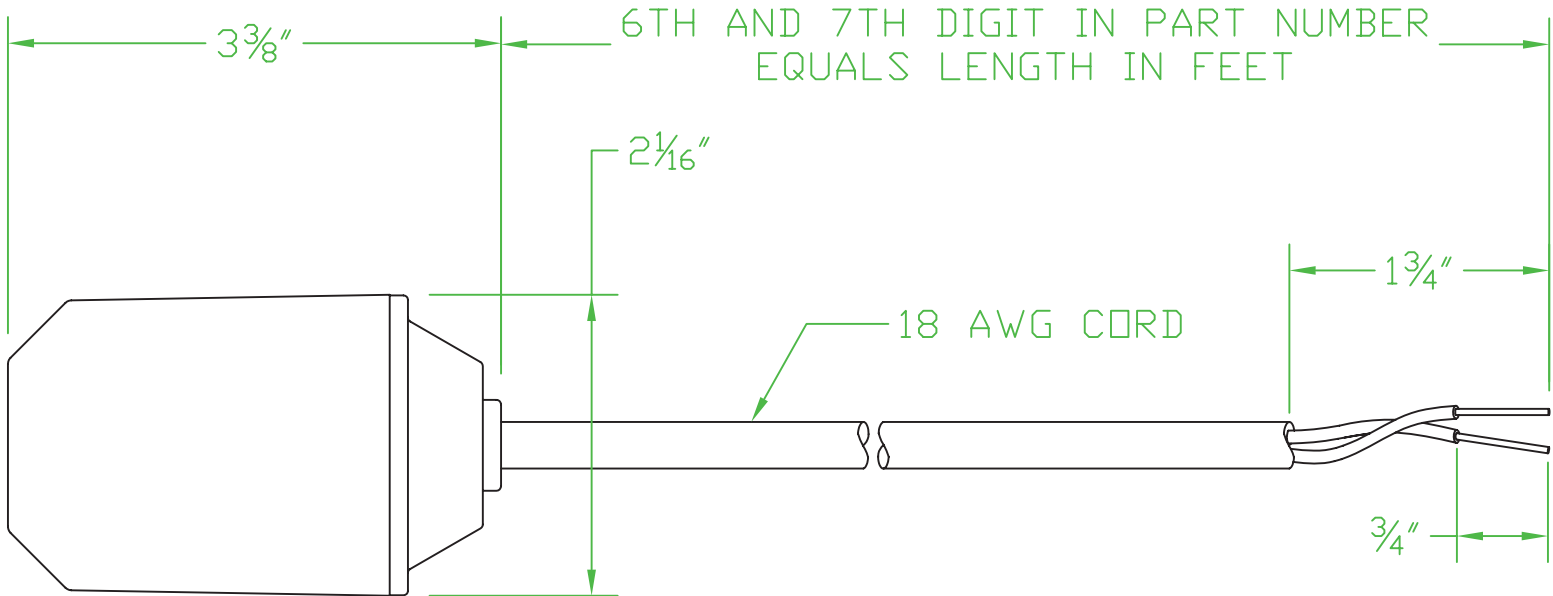
# MERCURY DISPLACEMENT INDUSTRIES, INC.

Post Office Box 710 - U.S. 12 East - Edwardsburg, Michigan 49112-0710

Phone (269) 663-8574 - Fax (269) 663-2924

(800) 634-4077

## SMALL MECHANICAL FLOAT S & X SERIES



### OPERATING ANGLE:

X SERIES:  $15^\circ$  NARROW ANGLE

S SERIES:  $90^\circ$  WIDE ANGLE

RATINGS: 5 AMP @ 120/240 VAC

5 AMP @ 30 VDC

CONTACTS: NORMALLY OPEN, NORMALLY CLOSED AND DOUBLE THROW

FLOATS MATERIALS: ACRYLONITRILE BUTADIENE STYRENE (A.B.S.) RATED TO  $186^\circ\text{F}$  ( $86^\circ\text{C}$ )

CORD MATERIAL: SJOW (CPE) OR SJTOW (PVC)

CORDS LENGTHS: UP TO 50' IN EVEN FOOT INCREMENTS.

Contactors - Relays - Switches

<http://www.mdious.com>