



MERCURY DISPLACEMENT INDUSTRIES, INC.

Post Office Box 710 - U.S. 12 East - Edwardsburg, Michigan 49112-0710

Phone (269) 663-8574 - Fax (269) 663-2924

(800) 634-4077

SP-1327

SWITCH CHARACTERISTICS

ACTION - SLOW @ 115 VAC 4.5 AMPS RES LOAD

DIFFERENTIAL ANGLE 1° - 3°

MOTOR DUTY 115 VAC 230 VAC 115 VDC 230 VDC

FULL LOAD 7.4 A 3.7 A 3.4 A 1.2 A

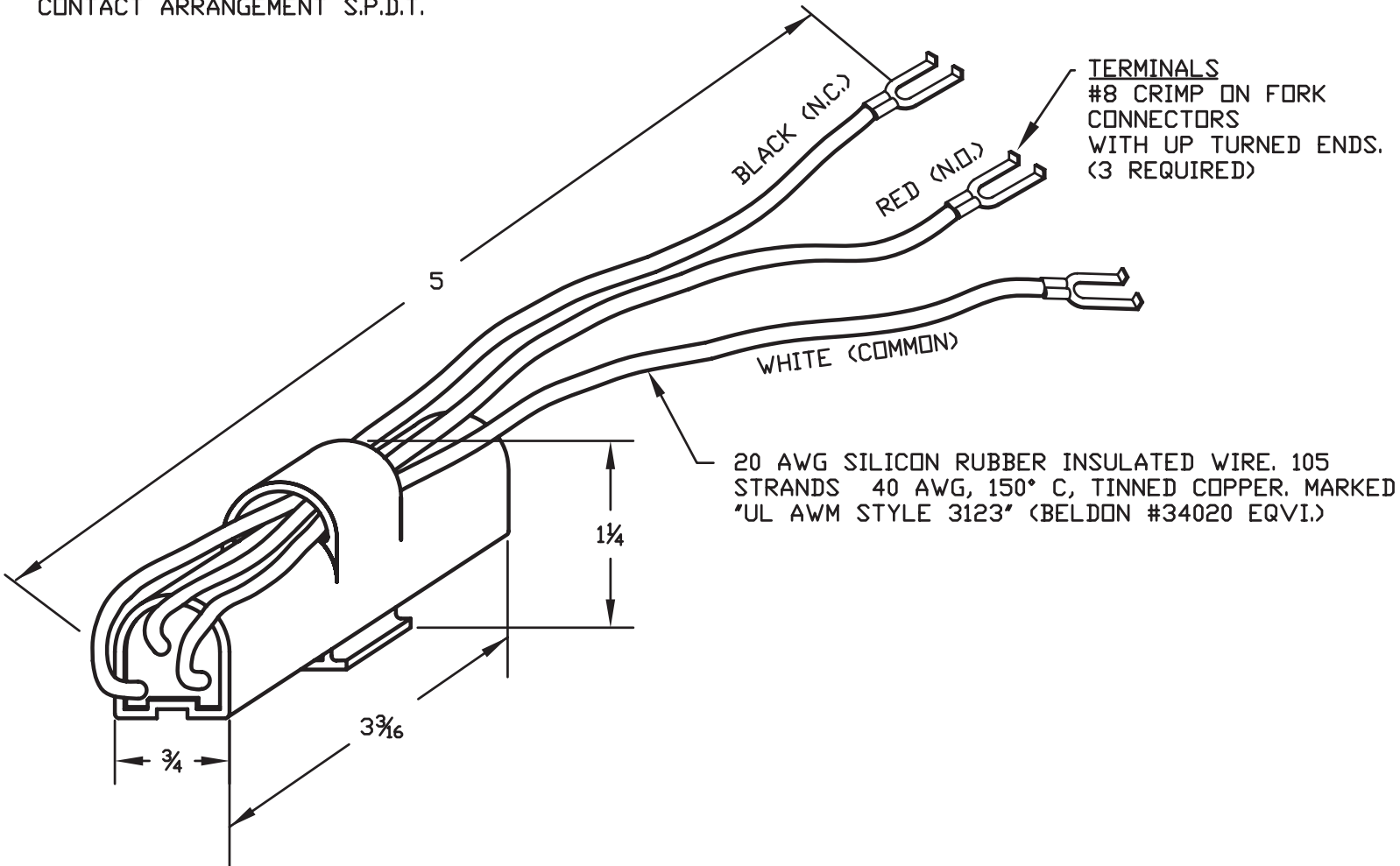
LOCKED ROTOR 44.4A 22.2 A 24.0 A 12.0 A

PILOT DUTY SERVICE 345 VOLT AMPS 115V

& 230VAC ALARM CIRCUIT.

AC 1 AMP	115 VOLTS	AC ½ AMP
DC ¼ AMP		DC ¼ AMP

CONTACT ARRANGEMENT S.P.D.T.



Contactors - Relays - Switches

<http://www.mdious.com>